



USER GUIDE

**ELECTRIC STRETCHER SERIE PC-750 //
STRETCHER SUPPORT SERIE PB-720**

Review 01/16

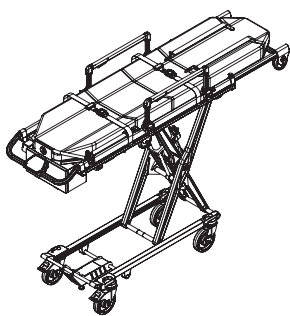


INDEX

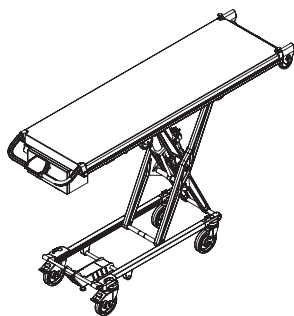
01	INTRODUCTION	
01.1	Using this manual	05
01.2	Technical data sheet	06
02	INSTALLATION	
02.1	Transport and unpacking	10
02.2	Anchorage points	11
02.3	Connection to the mains power supply	12
02.4	Stretcher's launch	13
03	OPERATION	
03.1	Commands of the support PB-720	14
03.2	Commands of the support PB-725	15
03.3	Commands of the stretcher PC-750	16
03.4	Commands of the stretcher PC-755	17
03.5	Elements of the manual system PB-720 / PB-725	18
03.6	Elements of the manual system PC-750 / PC-755	19
03.7	Loading and unloading operation	20
03.8	Control panel	21
03.9	Breakdowns	22
03.10	Troubleshooter	23
04	MOUNTING AND COMPONENTS	
04.1	Main exploded of stretcher PC-750 / PC-755	24
04.2	Main exploded of support PB-720 / PB-725	25
04.3	Bill of lower ensamble PC-750 / PC-755	26
04.4	Exploded views of lower ensamble PC-750 / PC-755	27
04.5	Bill of upper ensamble PC-750	28
04.6	Exploded views of upper ensamble PC-750	31
04.7	Bill of upper ensamble PC-755	32
04.8	Exploded views of upper ensamble PC-755	33
04.9	Bill of control panel set PC-750 / PC-755	34
04.10	Exploded views of control panel set PC-750 / PC-755	35
04.11	Bill of extensible frame set PC-750 / PC-755	36
04.12	Exploded views of extensible frame set PC-750 / PC-755	37
04.13	Bill of batteries cabinet set PC-750 / PC-755	38
04.14	Exploded views of batteries cabinet set PC-750 / PC-755	39
04.15	Bill of left handrail ensamble PC-750	40
04.16	Exploded views of left handrail ensamble PC-750	41
04.17	Bill of right handrail ensamble PC-750	42
04.18	Exploded views of right handrail ensamble PC-750	43
04.19	Bill of headrest set of stretcher's loading PC-750 / PC-755	44
04.20	Exploded views of headrest set of stretcher's loading PC-750 / PC-755	45
04.21	Bill of stretcher's bed set PC-750	46
04.22	Exploded views of stretcher's bed set PC-750	47

INDEX

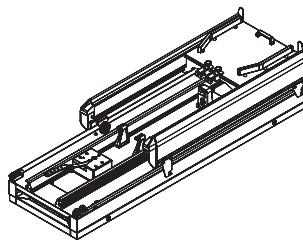
04.23	Bill of platform ensamble PB-720	48
04.24	Exploded views of ensamble platform PB-720	49
04.25	Bill of platform ensamble PB-725	50
04.26	Exploded views of platform ensamble PB-725	51
04.27	Bill of supplement ensamble PB-720	52
04.28	Exploded views of supplement ensamble PB-720	53
04.29	Bill of fixed support stretcher system PB-720	54
04.30	Exploded views of fixed support stretcher system PB-720	55
04.31	Bill of fixed support stretcher system PB-725	56
04.32	Exploded views of fixed support stretcher system PB-725	57
04.33	Bill of removable support stretcher system PB-720 / PB-725	58
04.34	Exploded views of removable support stretcher system PB-720 / PB-725	61
04.35	Bill of set plate references PB-720 / PB-725	62
04.36	Exploded views of set plate PB-720 / PB-725	63
04.37	Bill of anchor point set references PB-720 / PB-725	64
04.38	Exploded views of anchor point set PB-720 / PB-725	65
04.39	Bill of loading head set references PB-720 / PB-725	66
04.40	Exploded views of loading head set PB-720 / PB-725	67
05	ELECTRICAL CIRCUIT DIAGRAM	
05.1	Printed circuit board	68
05.2	Electrical wiring diagram	69
06	GENERAL MAINTENANCE	71
07	LEGAL NOTICES	72
08	PRODUCT WARRANTY	73



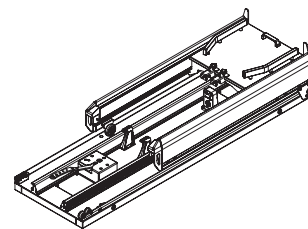
+ MODEL PC-750
STANDARD STRETCHER



+ MODEL PC-755
INCUBATOR STRETCHER



+ MODEL PB-720
SUPPORT WITH CABINET FOR
SCOOP STRETCHER



+ MODEL PB-725
SUPPORT WITHOUT CABINET
FOR SCOOP STRETCHER

01 INTRODUCTION

01.1 Using of manual

The manual provides using and maintenance instructions of the product, as well as the way of fixing minor faults that could appear.

It is recommended before the operation of the product to read carefully this manual in order to avoid damages caused by a misuse.

Do not lose this document, it should be accessible to any doubt that could appear by medical personnel.

Remember that a good use and maintenance are necessary for the proper operation of the product.

Each product incorporates an identification sticker with the serial number and the model. Keep these numbers so that they can be indicated to the dealer if necessary.

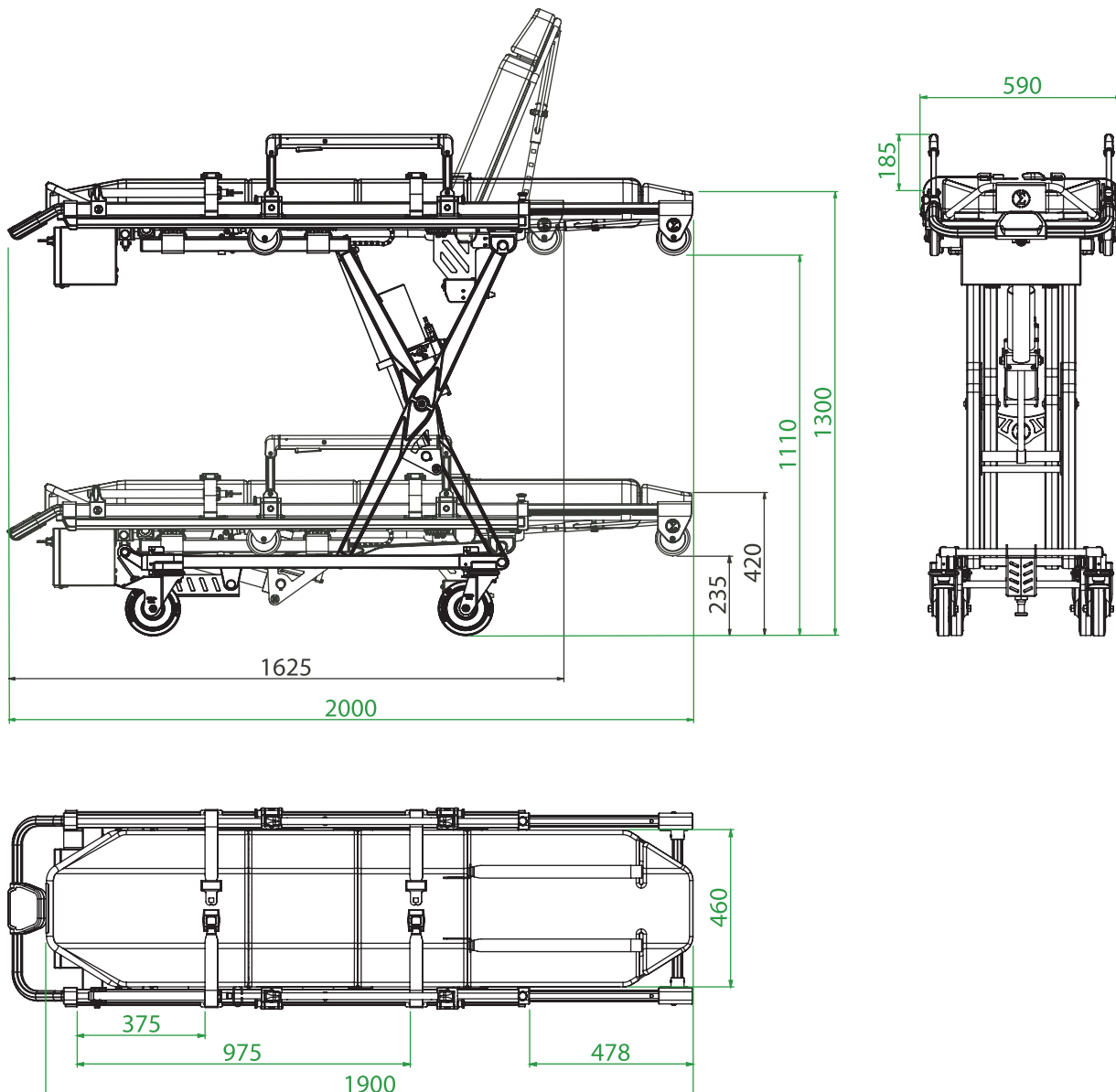
01 INTRODUCTION

01.2 Technical data sheet



MEASUREMENTS AND FEATURES // PC-750 STANDARD STRETCHER

LENGHT	2000 mm	POWER SUPPLY	12 V. CC.
WIDTH	590 mm	USING UP POWER	48A
HEIGHT MIN/MAX	420-1300 mm	TRENDELEMBURG	30°
FOWLER	17°	INCLINATION OF THE BACK	75°
WEIGHT	72 Kg	LOAD HEIGHT	920 mm
MAX. LOAD	300 Kg	LOADING TIME	120 min
OP. TEMPERATURE	-20°/+40°	OPERATOR REQUIRED	2

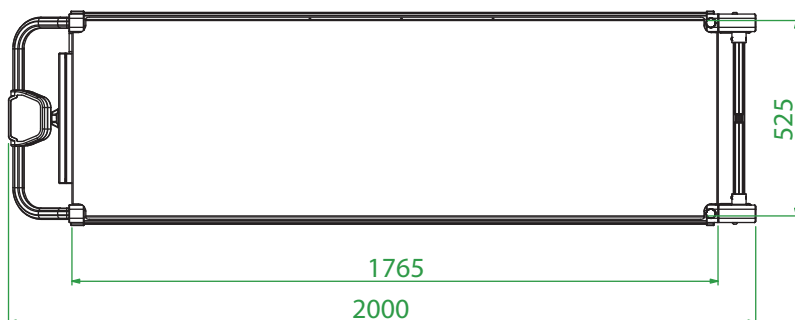
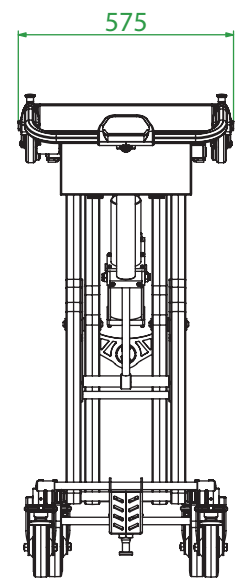
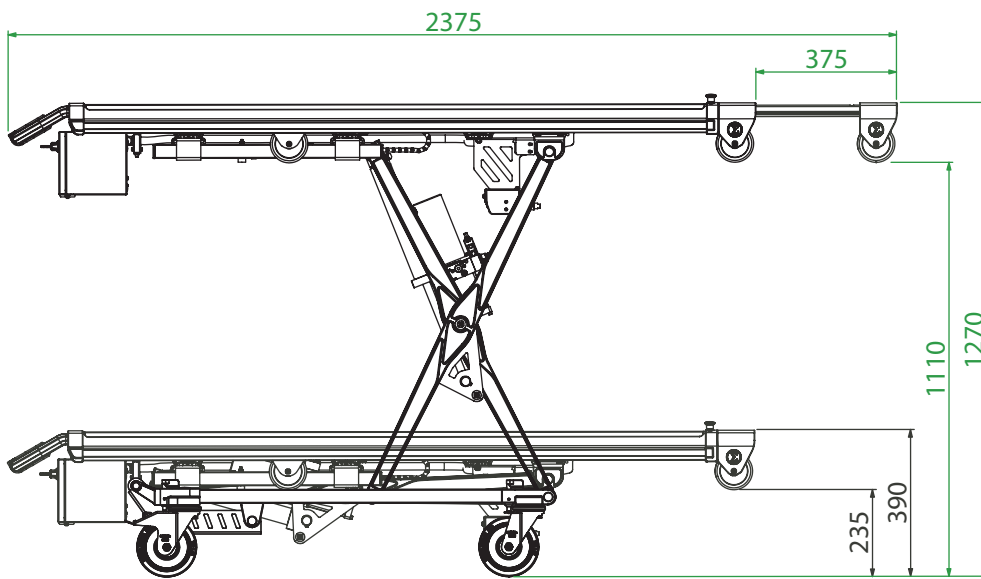


01 INTRODUCTION



MEASUREMENTS AND FEATURES // **PC-755** INCUBATOR STRETCHER

LENGHT	2000 mm	POWER SUPPLY	12 V. CC.
WIDHT	575 mm	USING UP POWER	48A
HEIGHT MIN/MAX	390-1270 mm	OPERATOR REQUIRED	1
WEIGHT	65 Kg	LOAD HEIGHT	920 mm
MAX. LOAD	300 Kg	LOADING TIME	120 min
OP. TEMPERATURE	-20°/+40°	TRAY MEASUREMENTS	1765x525 mm

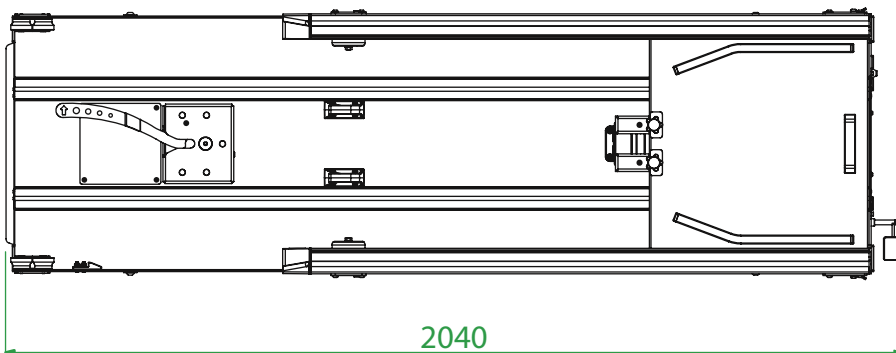
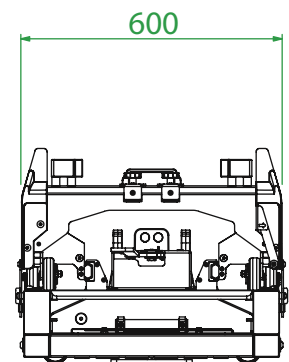
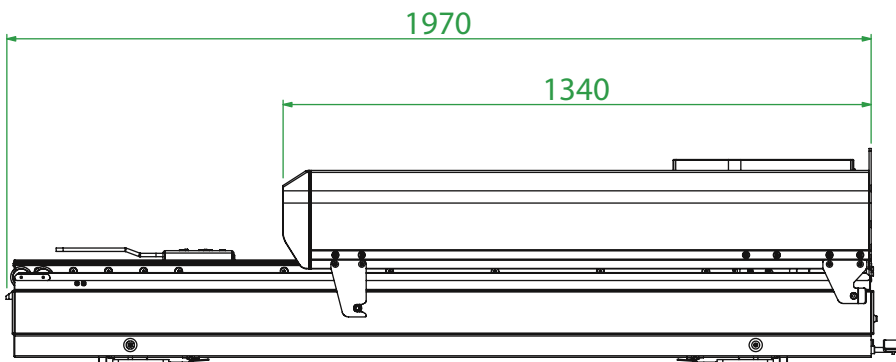


01 INTRODUCTION



MEASUREMENTS AND FEATURES // PB-720 SUPPORT WITH CABINET

LENGHT	2000 mm	POWER SUPPLY	12 V. CC.
WIDHT	590 mm	USING UP POWER	48A
HEIGHT MIN/MAX.	420-1300 mm	TRENDELEMBURG	30°
FOWLER	17°	INCLINATION OF THE BACK	75°
WEIGHT	120 Kg	LOAD HEIGHT	920 mm
MAX. LOAD	300 Kg	LOADING TIME	120 min
OP. TEMPERATURE	-20°/+40°	OPERATOR REQUIRED	2

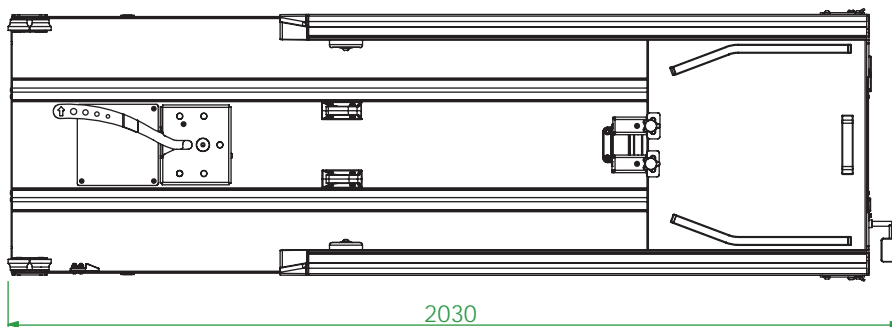
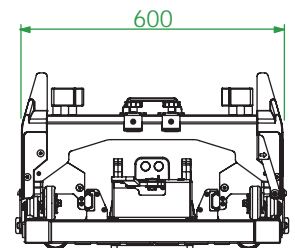
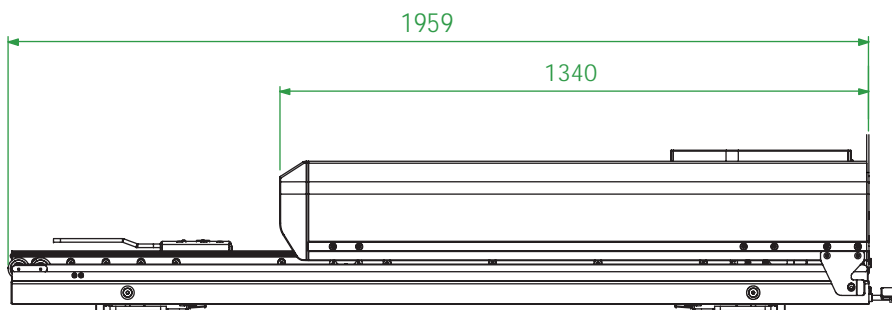


01 INTRODUCTION



MEASUREMENTS AND FEATURES// **PB-725 SUPPORT WITHOUT CAB.**

LENGHT	2000 mm	POWER SUPPLY	12 V. CC.
WIDHT	575 mm	USING UP POWER	48A
HEIGHT MIN/MAX	390-1270 mm	OPERATOR REQUIRED	1
WEIGHT	80 Kg	LOAD HIGHT	920 mm
MAX. LOAD	300 Kg	LOADING TIME	120 min
OP. TEMPERATURE	-20°/+40°	TRAY MEASUREMENTS	1765x525 mm



02 INSTALLATION

02.1 Transport and unpacking

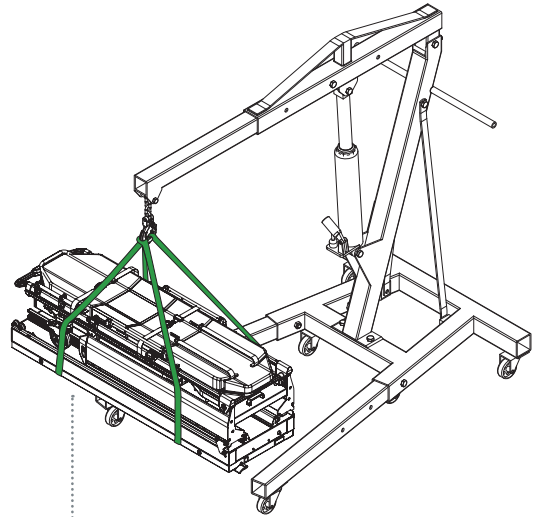
First carefully remove the packaging to prevent the damage of the product. Take the wooden cover away and use a crane to move vertically.

1. Transport with a crane (high load)

- Thread tapes through the upper platform for its transport (as shown in graphs).
- Transport the load level following all the precepts and regulations for the transport of suspended loads.

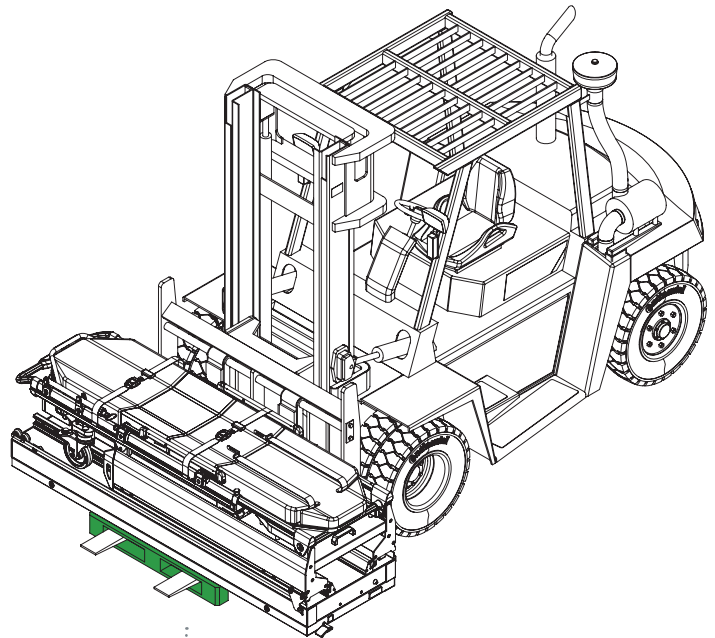
2. Transport with a forklift

- Place a pallet or a flat surface under the stretcher support and transport it transversely.
- Do not load the stretcher support directly on the forklift without a pallet or flat support surface.
- Do not load the support stretcher longitudinally on the forklift if a sufficiently long base is not available.
- Every set has been throughly inspected leaving the factory. To ensure that it has not been damaged during the transport, it is requested to carefully examine the interior and exterior, and in case of finding any damage, communicate immediately to the installer.
- The stretcher and support set should be levelled for an optimum performance.



+

TRANSPORT WITH A CRANE
FIX THE TAPES TO LEVEL THE LOAD WEIGHT



+

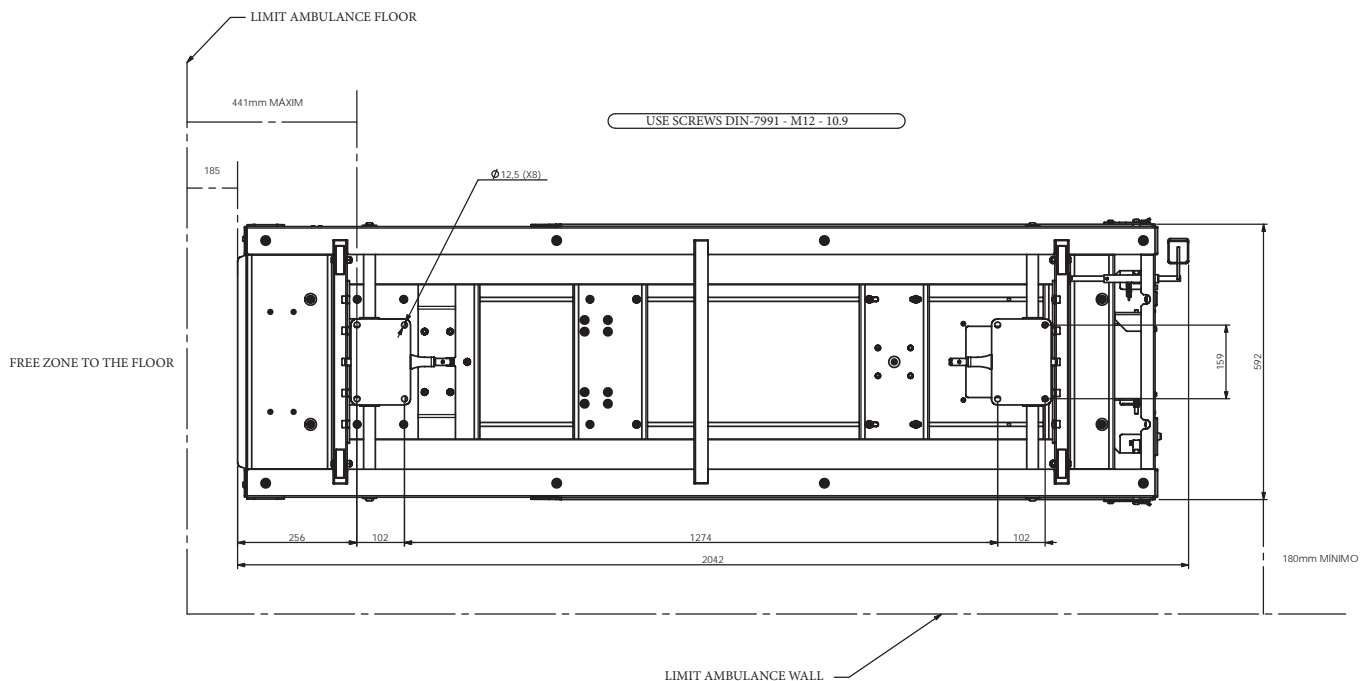
TRANSPORT WITH A FORKLIFT
USE ALWAYS A FLAT SUPPORT SURFACE

02 INSTALLATION

02.2 Anchorage points

Before putting the stretcher support into operation, ensure that each and every anchorage points are placed and clasped.

ANCHORE FOR PB-720 · PB-725 (8 anchorage points)



*****IMPORTANT TO ITS INSTALLATION*****

SCREWS TO ATTACH ON THE FLOOR M12 S/NORMA DIN-7991 (8 UNITS)

BEFORE DRILLING ON THE FLOOR OF THE AMBULANCE, VERIFY THAT THE LATERAL MOVEMENT OF THE STRETCHER SUPPORT ARE PLACED ON 0 POSITION.

KEEP THE MINIMUM LIMITS INDICATED ON THE PLAN AND ENSURE OF AFFIXING THE SET ON THE REINFORCED CHASSIS AREA.

THE ELECTRIC INSTALLATION OF THE SET MUST BE COMPLETED WITH THE ELECTRICAL SYSTEM OF THE AMBULANCE DISCONNECTED.

READ THE INSTRUCTIONS MANUAL IN CASE OF ANY DOUBTS DURING THE INSTALLATION.

02 INSTALLATION

02.3 Connection to the mains power supply PB-720 / PB-725

To make the connection follow the steps below.

Be particularly careful when the connecting the stretcher support to the required voltage of 12V and do not leave cables in passageways and or moving elements. It can provoke breakages, cuts and system failures.



To make the connection locate the black cable placed on the front side of the support stretcher.



Remove the plastic end of the BROWN (+) y BLUE (-) cables with a thread peeler to make the connection.



Use a power strip and a flathead screwdriver to connect the BROWN (+) y BLUE (-) wires together with the outlet of the ambulance.



MAKE SURE YOU HAVE THE POWER LINE PROPERLY PROTECTED AND ENSURE THE POWER ALONG THE LINE IS STABLE.

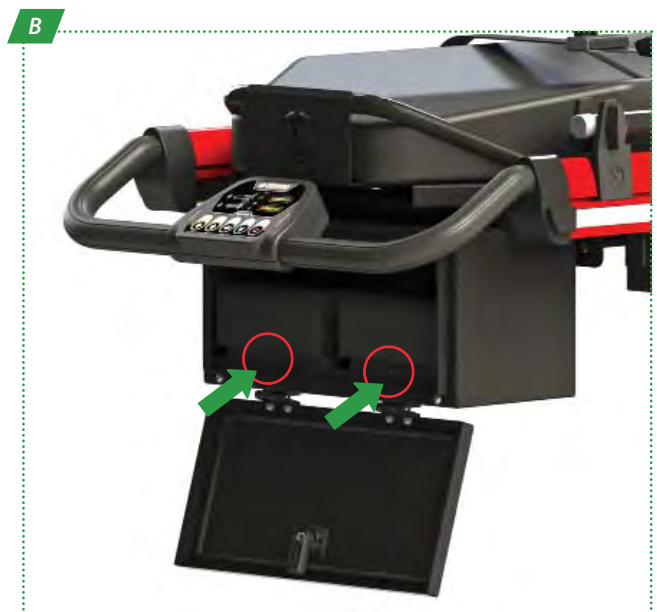
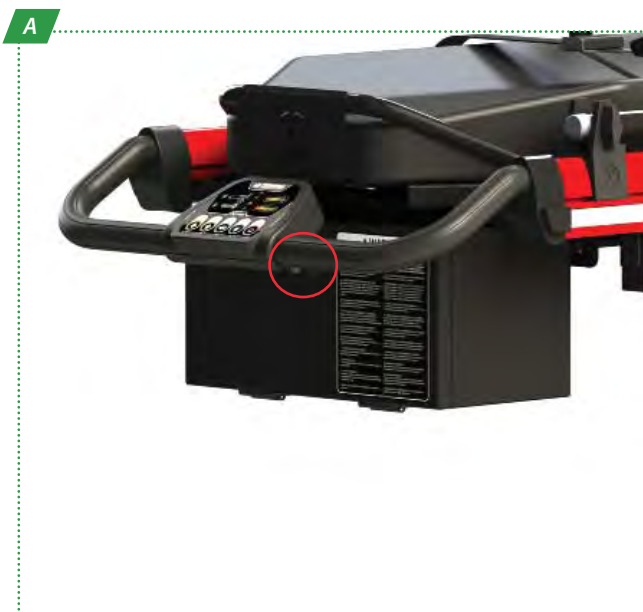
02 INSTALLATION

02.4 Stretcher's launch PC-750 / PC-755

In order to start to use the electric stretcher, it is necessary to charge the batteries. For that, locate the box in the back of the stretcher according to the photo (A) and open the frontal cover by the lock.

Pull two batteries out and pressuring the trigger in the frontal of the bases of the anchor as it is shown at photo (B), move the battery to the left and remove it.

Straightaway charge to the maximum the two batteries with their PROMEBA's charger supplied. (APPROXIMATELY 30 MIN. ARE ENOUGH)



Charge only the batteries of the stretcher with the charger supplied by PROMEBA, otherwise the batteries could be damaged and lose their guarantee.



External charger for PROMEBA's batteries.

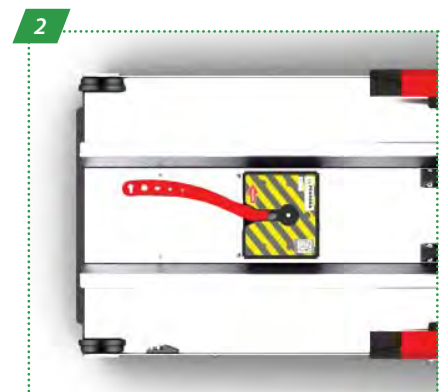


High-performance battery for PROMEBA's stretcher.

03 OPERATION

03.1 Commands of the **SUPPORT PB-720**

1. Removable handle to pull the support
2. Anchor point to lock the stretcher
3. Accomodation cabinet for scoop stretcher
4. Loading point for stretcher
5. Central hooks for stretcher
6. Removable lateral lever for folding the stretcher support
7. Removable bearing for stretcher support
8. Pull handle the rail from inside the ambulance
9. Guides for engagement operation
10. Lever to movement side
11. Safety hooks to grip the stretcher



03 OPERATION

03.2 Commands of the **SUPPORT PB-725**

1. Removable handle to pull the support
2. Anchor point to lock the stretcher
3. Loading point for stretcher
4. Central hooks for stretcher
5. Removable push button to fold the support stretcher
6. Removable bearing for stretcher support
7. Pull handle the rail from inside the ambulance
8. Guides for engagement operation
9. Lever to movement side
10. Safety hooks to grip the stretcher
11. Support unit extra low



03 OPERATION

03.3 Commands of the **STRETCHER PC-750**

1. Foldable and reclining handrails
2. Retractable belts on the backrest
3. Touch control panel in the middle
4. Batteries cabinet with lock
5. Four lockable wheels
6. Telescopic frame for maneuvering
7. Bed with fowler and trendelenburg
8. Folding and adjustable IV pole
9. Powerful LED lighting on the sides
10. Emergency switch
11. Belts with front locking push button
12. Automatic integrated charging system



03 OPERATION

03.4 Commands of the **INCUBATOR STRETCHER PC-755**

1. Stainless steel tray for incubator
2. Touch control panel in the middle
3. Batteries cabinet with lock
4. Four lockable wheels
5. Telescopic frame for maneuvering
6. Powerful LED lighting on the sides
7. Emergency switch
8. Automatic integrated charging system



03 OPERATION

03.5 Elements of the manual system SUPPORT PB-720 / PB-725

LATERAL DISPLACEMENT

Hand lever

Operate the lever located on the rear of the right side of the support, making a slight effort with foot and accompanying that movement by sliding with hands.

The total lateral displacement is **300 mm**.



LONGITUDINAL DISPLACEMENT

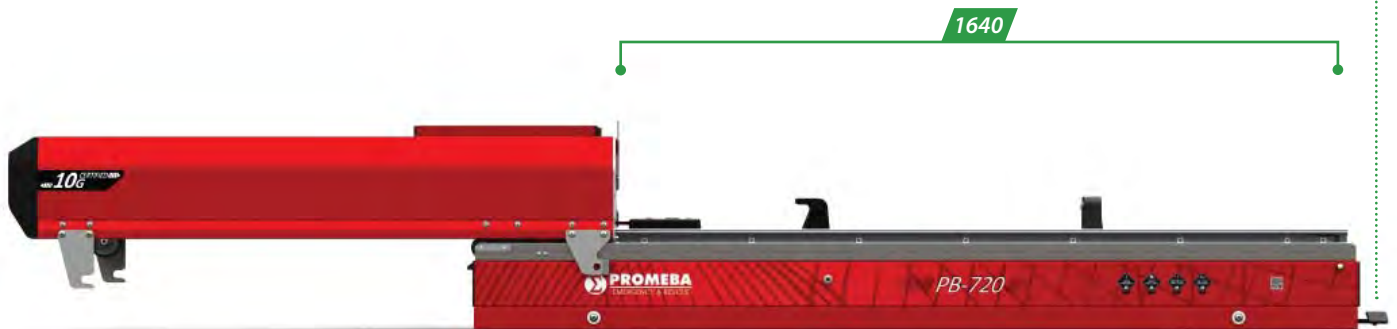
Hand lever

Operate the lever located on the front of the right side of the support by applying a slight effort with the foot and accompanying this movement by sliding your hands.

The total longitudinal displacement is **1640 mm**.

IMPORTANT:

To load the stretcher, the support stretcher **ALWAYS** must be placed totally pull out of the ambulance.



03 OPERATION

03.6 Elements of the manual system

STRETCHER PC-750 / PC-755



Foldable and reclining handrails
Stretch the lateral knob to fold the handrail or pressure on red bottom to recline.



Adjust the backrest inclination
Have 6 positions. Pressure the red handle and accompany the backrest to desire position.



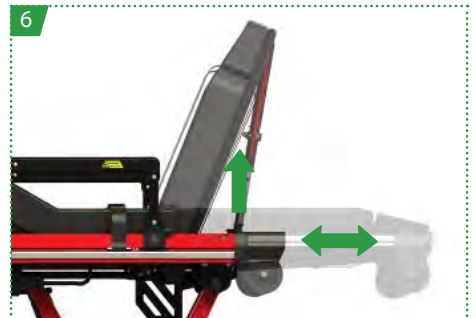
Adjust maximum high of the stretcher
To adjust the maximum high of the stretcher loosen the screw and spin to desired position.



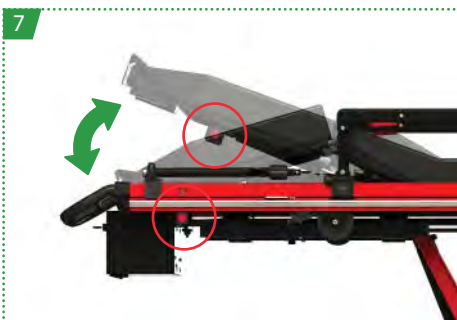
Batteries cabinet with lock
To open the batteries cabinet, use the lock with the key provided.



Four lockable wheels
Spin the red handle to block or unblock the turn of the stretcher's wheels.



Telescopic frame
Place the backrest in the vertical position, trigger by lateral knob and pull out or close the frame.



Bed with fowler and trendelenburg position
The bed set has two red buttons for adjust the position.



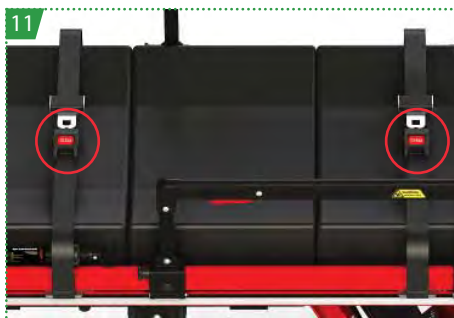
Folding and adjustable IV pole included
Spin the wing nut to raise the IV pole and twirl the upper ring. Unfold it.



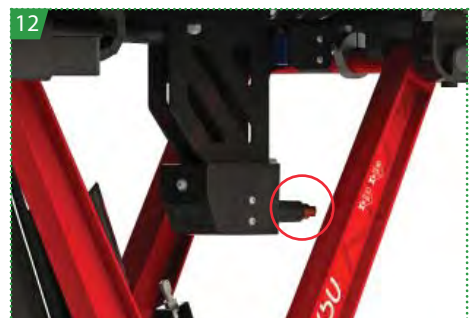
Powerful LED lighting on the sides
Press the button LIGHTS from control panel for activate the lights in the blinking or fixed mode.



Emergency switch for lowering the stretcher
If you had to fold the stretcher in the manual way, you will pull the emergency lever to fold it.



Belts with front locking push button
To unfasten the belts, push the red button. You must always fasten the patient.



Automatic integrated charging system
When you keep the stretcher on the support, the batteries of the stretcher will start to charge.

03 OPERATION

03.7 Loading and unloading operation

Starting from the position in which the support has been left after the loading of the stretcher into the ambulance (1):

UNLOADING

- Pull the lever of the anchor point towards the left (A).
- Automatically the stretcher will be free. Push it out the ambulance (B) until the support are totally extract (2).
- Use the control panel to power the stretcher. WAIT 2 SECONDS to activate the system and later push the UP button (C).
- Once the stretcher will be in its highest position, which will be free (4).
- Move away the stretcher in straight line until being completely out of the support.
- Again, pick the support up into the ambulance by the lever placed on right side (C).

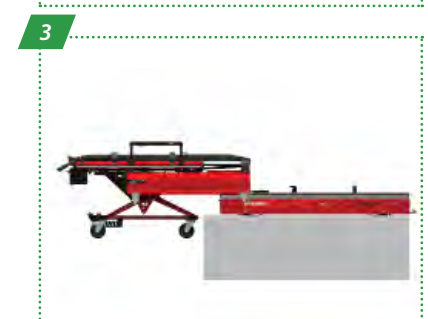
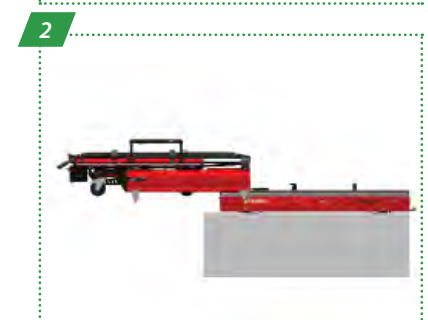
LOADING

- Pull the support out the ambulance by lever of the anchor point (A).
- Push the support by lateral handles until its maximum.
- Move the stretcher closer towards the support in straight line (5) make sure the wheels are placed like the image (D).
- Push the DOWN button on the control panel of the stretcher (E) and after push right lateral lever of the support (C) to put the set into the ambulance.
- Secure the stretcher is fasten on the anchor point (A) and anchor point is on close position.
- Verify the stretcher are charging, pushing the POWER button.



THE FRONT WHEELS OF THE STRETCHER MUST **BE LOCKED** WHEN THE LOADING/ UNLOADING OPERATION ARE EXECUTED.

ON THE CONTRARY, IT IS POSSIBLE IMPORTANT ELEMENTS OF THE STRETCHER COULD BE DAMAGED.



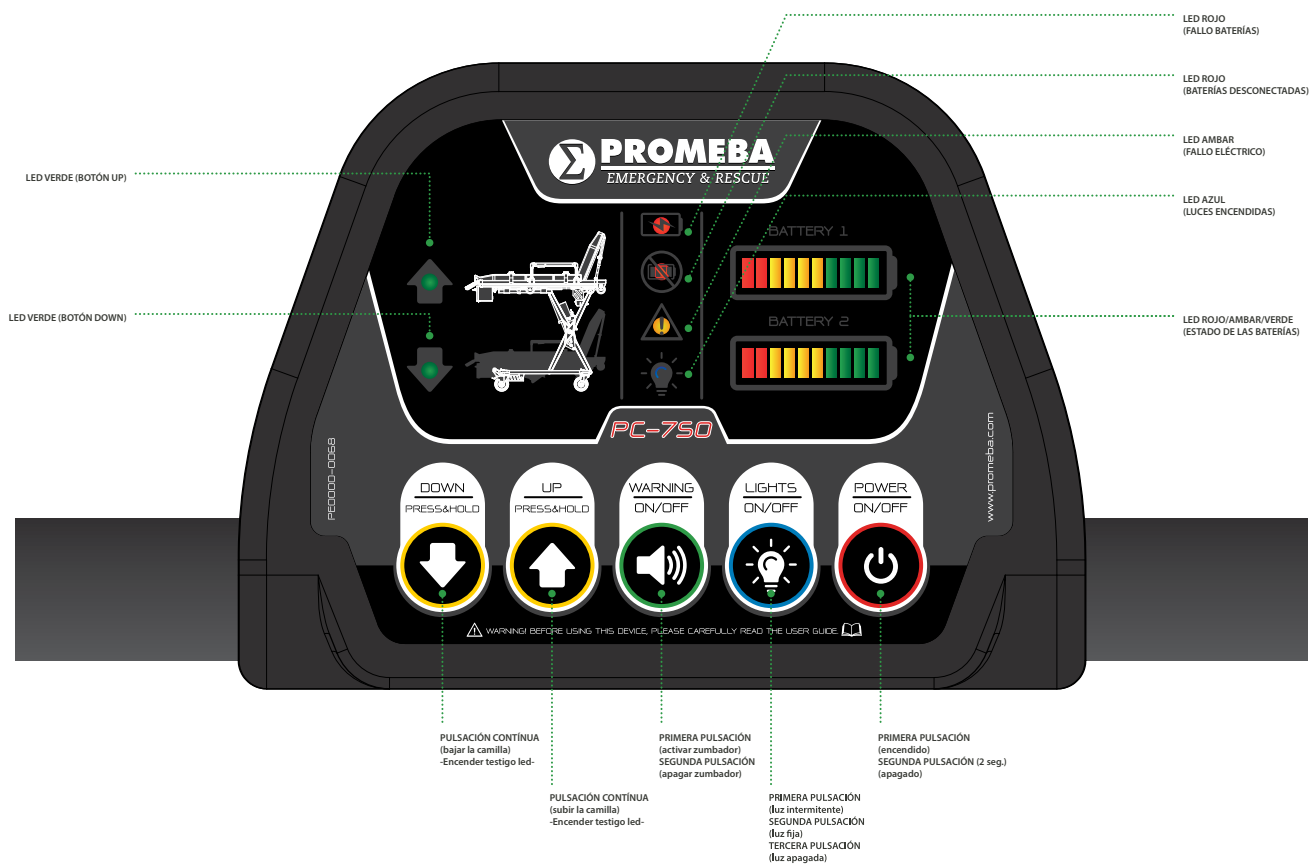
03 OPERATION

03.8 Control panel

CONTROL PANEL FUNCTION

All the electrical functions of the stretcher are controlled from the touch control panel placed on the back of the stretcher.

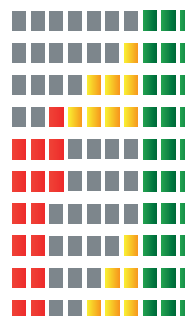
See its functions in the following graphic:



ERRORS KEY OF CONTROL PANEL

The led indicator of batteries status indicates possible errors of the system. In the following table, it is described the error according to its combination:

1. ERROR OF CONNECTION BETWEEN STRETCHER AND SUPPORT
2. ERROR FOR ELECTRIC SUPPLY ON THE SUPPORT
3. ERROR FOR OVERCHARGING BATTERIES
4. ERROR TIMEOUT FOR LOADING
5. ERROR MOVING UP FOR EXCESSIVE TIME
6. ERROR MOVING DOWN FOR EXCESSIVE TIME
7. ERROR IN CONTROL DRIVER OF STRETCHER
8. ERROR IN ENGINE TO EXCEED MAX. INTENSITY
9. ERROR IN ENGINE FOR LOW TENSION
10. ERROR FOR EXCEED LOAD



03 OPERATION

03.9 Breakdowns

HYDRAULIC SYSTEM FAILURE

In case of hydraulic system failure, the stretcher has a lever that allows to fold it on manual mode.

For that, locate the lever on left side of battery case:



Pull the lever and the stretcher will descend until its lower position. Once the stretcher is folded, you should proceed to disassemble the safety hooks of the support as shown in the picture:



Once the stretcher is loaded into the support, you should place safety hooks in its initial position.

REMOVING THE BATTERY

In case of failing one of the batteries, the stretcher will work perfectly. The system is prepared to work with one battery. The second one will be come in automatically when the control software detects that the first battery is about to run out.

However, if you have to change the batteries, you should proceed to open the compartment, press the button on the base (see red circle) and remove the battery sideways.



Batteries are delivered with a minimum charge. Before using the stretcher, you should previously charge the batteries with the external charger supplied with the stretcher to its maximum charge level. For a full charge, you should wait about 30 MINUTES.

03 OPERATION

03.10 Troubleshooter

COD.	ERROR'S DESCRIPTION	POSSIBLE CAUSE	POSSIBLE SOLUTION
1	- VOLTAGE BATTERY IS LESS THAN 3V - THEY ARE DAMAGED OR DISCONNECTED	- BATTERIES DISCONNECTED - BATTERIES DAMAGED	- BATTERIES PROPERLY CONNECTING - CHECK CABLE CONNECTION BATTERIES WITH ELECTRIC PLATE - REPLACE BATTERIES
2	- VOLTAGE BATTERY IS LESS THAN 34V	- OVERCHARGE DURING THE CHARGING BATTERIES OV	- COOL THE BATTERIES DURING 3/4 HOURS - USE THE CHARGER SUPPLIED BY PROMEBBA - REPLACE BATTERIES FOR NEW ONES
3	- THE STRETCHER IS NOT RECEIVE VOLTAGE FROM AMBULANCE	- FAIL CONNECTION STRETCHER-SUPPORT - AMBULANCE'S BATTERY DISCONNECTED OR DAMAGED - POWER CABLES WRONG WAY CONNECTED BETWEEN SUPPORT AND AMBULANCE - ONE OF TERMINALS COPPER OF THE STRETCHER	- CHECK TERMINAL CONNECTION BETWEEN STRETCHER-SUPPORT - CHARGE THE BATTERIES OR REPLACE FOR NEW ONES - CHECK THE CABLE CONNECTION BETWEEN STRETCHER-SUPPORT-AMBULANCE - CHECK TERMINAL CONNECTION OF THE STRETCHER GOING INTO AND LEAVING THE ACCOMMODATION
4	- VOLTAGE BATTERY IS LESS THAN 18V	- BATTERIES ARE DISCONNECTED	- CHARGE BATTERIES UNTIL ITS MAXIMUM LEVEL
5	- THE STRETCHER GETS THE VOLTAGE THROUGH TERMINAL CONNECTION OF THE SUPPORT, BUT THEY HAVE NOT BEEN PRESSED	- THE STRETCHER IS NOT PROPERLY ENTERED IN THE SUPPORT - FAIL IN MICROSWITCH	- ENSURE THE STRETCHER HAS ENTERED WELL INTO THE SUPPORT AND THE CONNECTION TERMINAL ARE WELL CONENCTED - CHECK THE STATUS OF MICROSWITCH
6	- BATTERIES ARE NOT DETECTED	- BATTERIES DISCONNECTED - BATTERIES CONNECTION DAMAGED - BATTERIES CHARGE VERY LOW	- ANCHOR WELL THE BATTERIES TO ITS BASE - REPLACE FOR NEW BATTERIES - CHARGE THEM WITH EXTERNAL PROMEBBA'S CHARGER
7	- FAIL IN THE DRIVER OF ENGINE	- CONTACT WITH TECHNICAL SERVICE	- CONTACT WITH TECHNICAL SERVICE
8	- INTENSITY ABOVE 48V	- STRETCHER WITH OVERLOAD OF WEIGHT - BATTERIES UNCHARGED - THE STRETCHER NOT UP/DOWN GENTLY	- NOT LOAD THE STRETCHER WITH MORE THAN 300KG - CHARGE THEM WITH EXTERNAL PROMEBBA'S CHARGER - SEARCH POSSIBLE SCRATCHES, INTERFERENCE OR LOCKED PIECES IN THE STRETCHER
9	- VOLTAGE IS LESS THAN 15V	- STRETCHER WITH OVERLOAD OF WEIGHT - BATTERIES UNCHARGED - THE STRETCHER NOT UP/DOWN GENTLY	- NOT LOAD THE STRETCHER WITH MORE THAN 300KG - CHARGE THEM WITH EXTERNAL PROMEBBA'S CHARGER - SEARCH POSSIBLE SCRATCHES, INTERFERENCE OR LOCKED PIECES IN THE STRETCHER
10	- FAIL IN CHARGING PROCESS	- CONTACT WITH TECHNICAL SERVICE	- CONTACT WITH TECHNICAL SERVICE



IMPORTANT CONSIDERATION

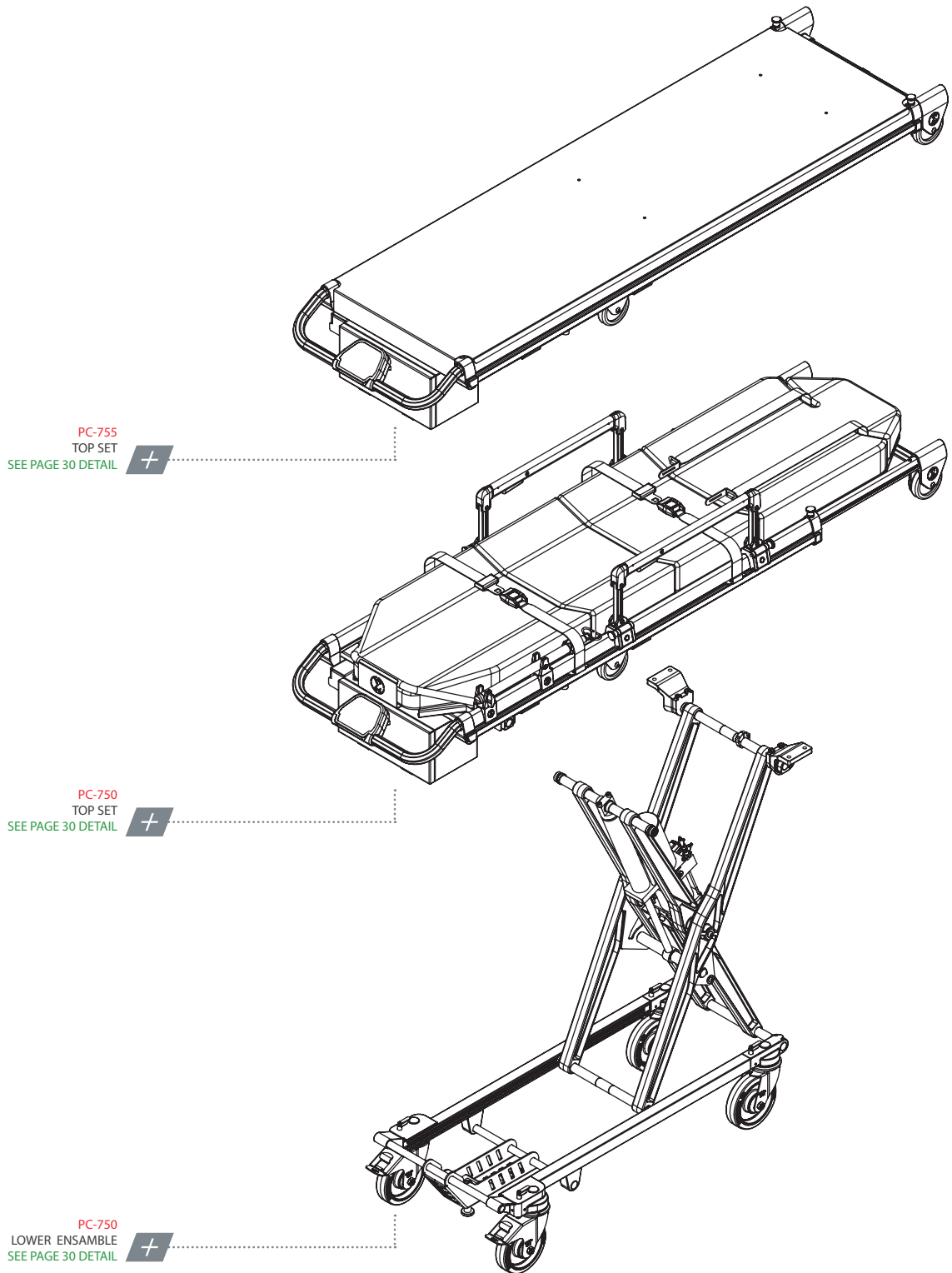
The electrical system of the stretcher will automatically turn off in 15 minutes if there are not make any operation. In manoeuvre of up and down repeatedly to 20 cycles continuously, you should make a mandatory stop for at least 15 seconds for electro-hydraulic system of the stretcher recovers.

It is recommended to remove the two batteries of theirs anchors if the stretcher will spend long periods of inoperability. It is important to maintain a minimum of loading cycles every month to keep the good capacity of the batteries.

Not leave without charge the batteries more than 2 MONTHS. It is possible they will stop working.

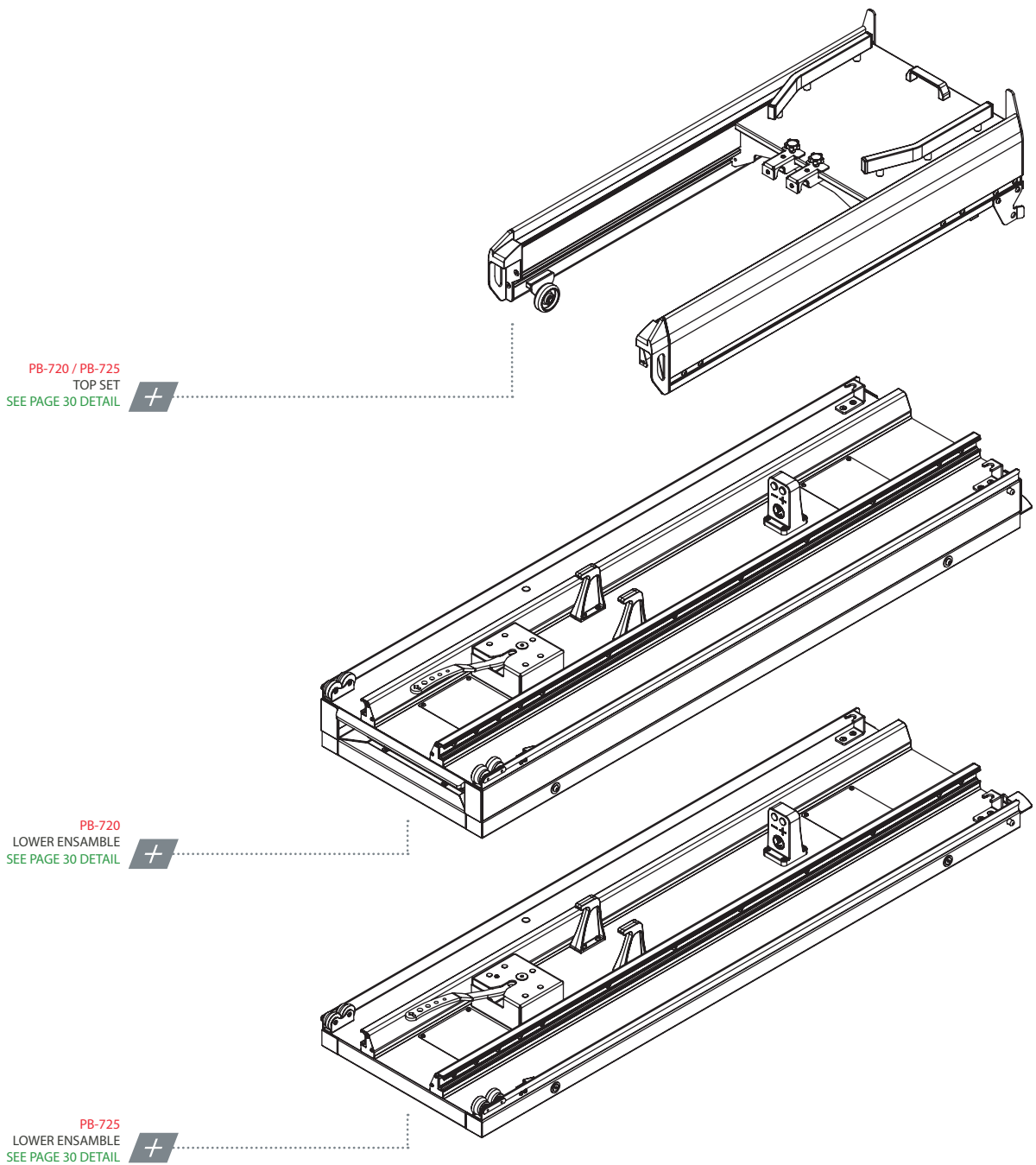
04 MOUNTING AND COMPONENTS

04.1 Main exploded of STRETCHER PC-750 / PC-755



04 MOUNTING AND COMPONENTS

04.2 Main exploded of SUPPORT PB-720 / PB-725



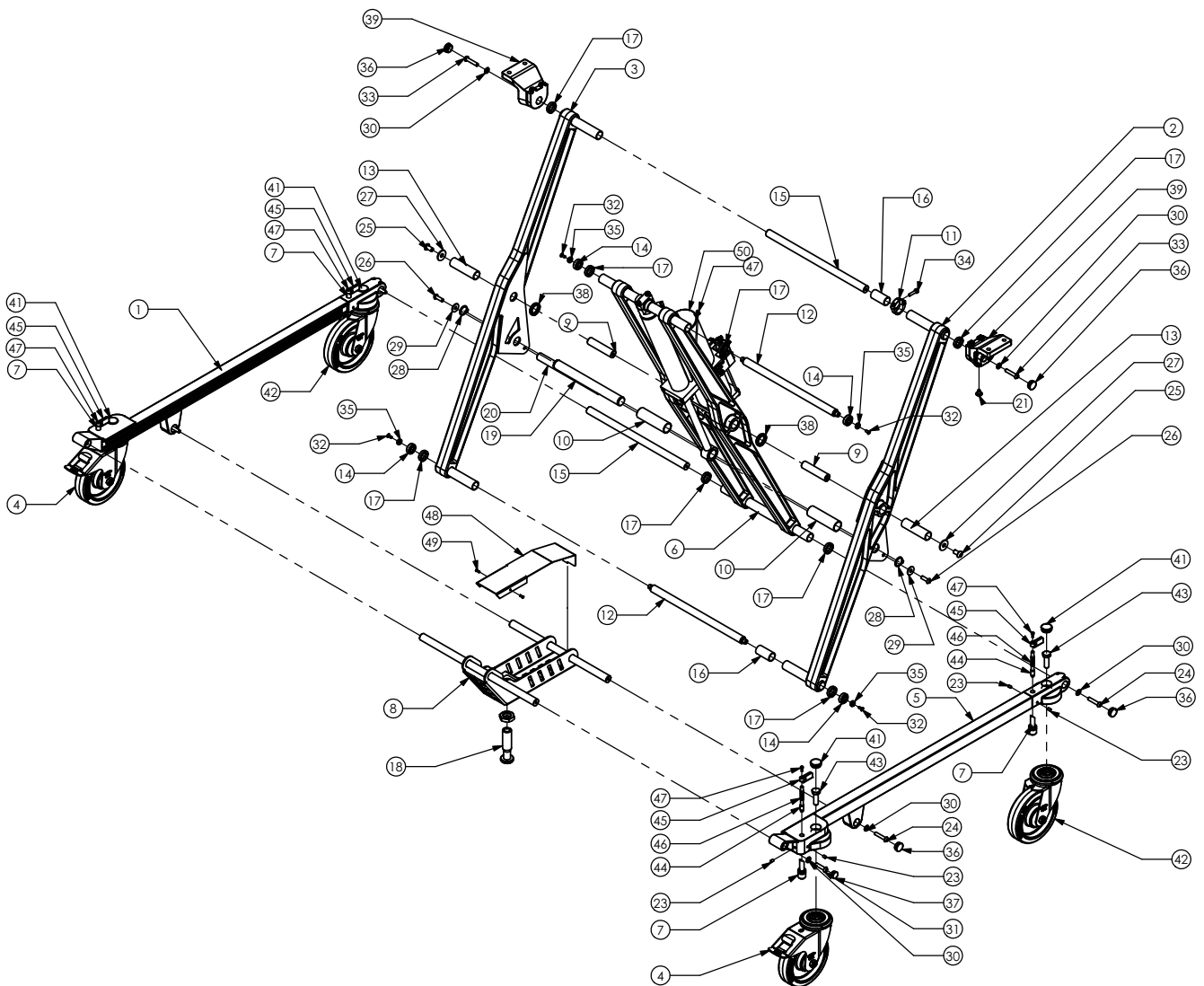
04 MOUNTING AND COMPONENTS

04.3 Bill of materials: LOWER ENSAMBLE PC-750 / PC-755

Nº ELEMENT	CODE - DESCRIPTION	QUANTITY
1	PC7500-03002 - SUBCONJUNT BASE RODES ESQUERRA	1
2	PC7500-06002 - SUBCONJUNT POTA EXTERIOR DRETA	1
3	PC7500-05002 - SUBCONJUNT POTA EXTERIOR ESQUERRA	1
4	PC7500-01160 - CONJUNT RODA GIRATORIA AMB FRE	2
5	PC7500-04002 - SUBCONJUNT BASE RODES DRET	1
6	PC7500-07002 - SUBCONJUNT POTA INTERIOR	1
7	PC6500-01311 - CASQUELL BLOQUEIG RODA POSTERIOR	4
8	PC7500-08002 - SUBCONJUNT TERCER PUNT	1
9	PC7500-01010 - EIX INTERIOR GIR CENTRAL CONJUNT POTES	2
10	PC7500-01132 - TUB CENTRATGE VASTEG ACTUADOR	2
11	PC7500-01090 - REGULADOR MICRO ALTURA MAXIMA	1
12	PC7500-01020 - EIX INTERIOR GIR CONJUNT POTES	2
13	PC7500-01140 - CASQUELL INTERMITG CONJUNT POTES EXTERIOR	2
14	6001ZZ - RODAMENT DE BOLES SELLAT 12X28X8MM	4
15	PC7500-01050 - EIX EXTERIOR GIR CONJUNT POTES	2
16	PC7500-01030 - CASQUELL NYLON CENTRAL CONJUNT GIR POTES EXTERIOR	2
17	PC7500-01040 - CASQUELL NYLON LATERAL CONJUNT GIR POTES EXTERIOR	8
18	PC7500-01061 - TORRIO ENGANCHE CAMILLA ELECTRICA	1
19	PC7500-01070 - EIX GIR SUPORT ACTUADOR	1
20	PC7500-01082 - EIX ANCLATGE GANXOS RAIL CENTRAL	1
21	TOPE-PLASTØ16 - TOPE PLASTICO NEGRO FORTAPS REF. 32	2
22	31306241 - TUERCA D-439 M-24 CINCADA	1
23	3160306101 - ESPARRAGO D-913 M6X10	8
24	3111308401 - TORNILLO ISO7380 M8X40 CINCADO	4
25	3111310201 - TORNILLO ISO7380 M10X20 CINCADO	4
26	3111308251 - TORNILLO ISO7380 M8X25 CINCADO	2
27	31204101 - ARANDELA D-9021 M10 CINCADA	4
28	31202221 - ARANDELA D-471 Ø22 CINCADA (SEEGER)	2
29	31204081 - ARANDELA D-9021 Ø8,4 CINCADA	2
30	31201081 - ARANDELA D-125 M8 CINCADA	8
31	3111308351 - TORNILLO ISO7380 M8X35 CINCADO	2
32	3110805121 - TORNILLO D-7991 M5X12 CINCADO	4
33	3111308451 - TORNILLO ISO7380 M8X40 CINCADO	2
34	3111206251 - TORNILLO D-7984 M-6X25 CINCADO	1
35	PC7500-01100 - DISC APOIO FIXACIÓ COIXINETS	4
36	TAP-PLASTØ25 - TAPON PLASTICO FINAL Ø25 - MOD. 17-25	6
37	TAP-PLASTØ20 - TAPON PLASTICO FINAL Ø20 - MOD. 17-20	2
38	PC7500-01180 - CASQUELL NYLON EIX CENTRAL GIR POTES	2
39	PC7500-01112 - ANCLATGE FIXACIO GIRO SUPERIOR POTES EXTERIORS	2
40	PC7500-01120 - VASTEG ACTUADOR HIDRAULIC HC1001028	1
41	TAP-PLASTØ30 - TAPON PLASTICO FINAL Ø30 - MOD. 17-30	4
42	PC7500-01150 - CONJUNT RODA GIRATORIA SENSE FRE	2
43	3110412401 - TORNILLO D-933 M12X40 CINCADO	4
44	PC6500-01321 - BALDA BLOQUEIG RODA POSTERIOR	4
45	31201041 - ARANDELA D-125 M4 CINCADA	1
46	3111304121 - TORNILLO ISO7380 M4X12 CINCADA	1
47	PC7500-02170 - MANETA BLOQUEIG RODES PLASTICO	4
48	PC6500-01340 - MOLLA BLOQUEJADOR POTA	4
49	3110204101 - TORNILLO D-912 M4X10 CINCADO	6
50	PC7500-08062 - EMBELLIDOR TERCER PUNT CAMILLA	1
51	314010410 - REMACHE ALUMINIO Ø4X10	2
52	PC7500-01200 - CONJUNT GRUP ACTUADOR HIDRAULIC HC1001028 V6	1

04 MOUNTING AND COMPONENTS

04.4 Exploded views of lower ensemble PC-750 / PC-755



04 MOUNTING AND COMPONENTS

04.5 Bill of materials: UPPER ENSAMBLE PC-750

Nº ELEMENT	CODE - DESCRIPTION	QUANTITY
1	PC7500-11002 - CONJUNT GUIES SUPERIORS	2
2	PC7500-13012 - GUIA PASSACABLES GRUP ACTUADOR	1
3	PC7500-12000 - CONJUNT COMPARTIMENT BATERIES	1
4	PC7500-10000 - CONJUNT MARC CAPÇAL EXTENSIBLE	1
5	PC7500-15000 - CONJUNT BARANETA ABATIBLE ESQUERRA	1
6	PC7500-16000 - CONJUNT BARANETA ABATIBLE DRETA	1
7	PC6170-03470 - CONJUNT PORTASUERO UNIVERSAL	1
8	PC7500-09000 - CONJUNT CUADRE DE MANDOS	1
9	PC7500-14002 - SUBCONJUNT SUPORT CAPÇAL DE CARREGA	1
10	PC7500-17000 - CONJUNT CAPÇAL DE CARREGA CAMILLA	1
11	PC7500-18000 - CONJUNT LLITERA CAMILLA ELECTRICA PC-750	1
12	TECOX-7S-2D - CONJUNT FULLWATT LED REF. TECOX-7S-2D	2
13	PC7500-02012 - PERFIL SUPERIOR ALUMINI DRET	1
14	PC7500-02022 - PERFIL SUPERIOR ALUMINI ESQUERRA	1
15	GN 822-7-B-ST - POM POSICIONADOR SENSE BLOQUEIG	2
16	XCMD2102L3 - MICRO-RUPTOR AMB RODAMENT TELEMECANIQUE	1
17	PC6500-04081 - SOPORT CINTURONS	4
18	PC7500-02030 - TAP FINAL GUIA RODAMENT POTES	4
19	PC7500-02042 - TIRANT PERFILS INTERMITJOS	4
20	PC7500-02050 - SUPORT DAVANTER GIRO POTES EXTERIORS	2
21	PC7500-02062 - XAPA SUPORT PULSADOR TRENDELEMBURG	1
22	PC7500-02070 - FEMELLA SUBJECCIO PERFIL ALUMINI DRET	1
23	PC7500-02080 - FEMELLA SUBJECCIO PERFIL ALUMINI ESQUERRA	1
24	PB4100-02240 - DISC APOIO MOVIMENT LATERAL	2
25	PC7500-02092 - SUPORT RODA CONJUNT SUPERIOR CAMILLA	2
26	CD-RUEDA-100 - RODA PATÍ CAMILLA 100X24MM	2
27	PC7500-02122 - TERMINAL PERFIL SUPERIOR ESQUERRA	1
28	PC7500-02132 - TERMINAL PERFIL CAPÇAL RETRACTIL DRET	1
29	PC7500-02142 - TERMINAL PERFIL SUPERIOR DRET	1
30	PC7500-02152 - TERMINAL PERFIL CAPÇAL RETRACTIL ESQUERRA	1
31	TB-50342400-2GA - PULSADOR AWP DOBLE NEGRO-ROJO CABLE 750MM	1
32	PC7500-18150 - PASSACABLES ENDOLL DE CARGA LLARG 140CM	1
33	496379 - PASACABLES MOSS IP67 M20	1
34	COMP00867 - CASQUELL RODA	2
35	GN 611-M10-8-L - POSICIONADOR DE MUELLE M10	2
36	CONJUNT CINTURO ARNES ESQUERRA	1
37	CONJUNT CINTURO ARNES DRET	1
38	CONJUNT CINTURO LLENGUETA	2
39	CONJUNT CINTURO CIBELLA	2
40	31305061 - TUERCA D-985 M-6 CINCADA	5
41	31305081 - TUERCA D-985 M-8 CINCADA	24
42	3111208251 - TORNILLO D-7984 M-8X25 CINCADO	10
43	3110806601 - TORNILLO D-7991 M6X60 CINCADO	2
44	3111308451 - TORNILLO ISO7380 M8X45 CINCADO	2
45	3111308161 - TORNILLO ISO7380 M8X16 CINCADO	8
46	31201081 - ARANDELA D-125 M8 CINCADA	28
47	3110408251 - TORNILLO D-933 M8X25 CINCADO	8
48	3111308351 - TORNILLO ISO7380 M8X35 CINCADO	2
49	3110408161 - TORNILLO D-933 M8X16 CINCADO	12
50	3160305081 - ESPARREC D-914 M5X8	4
51	3111308401 - TORNILLO ISO7380 M8X40 CINCADO	2

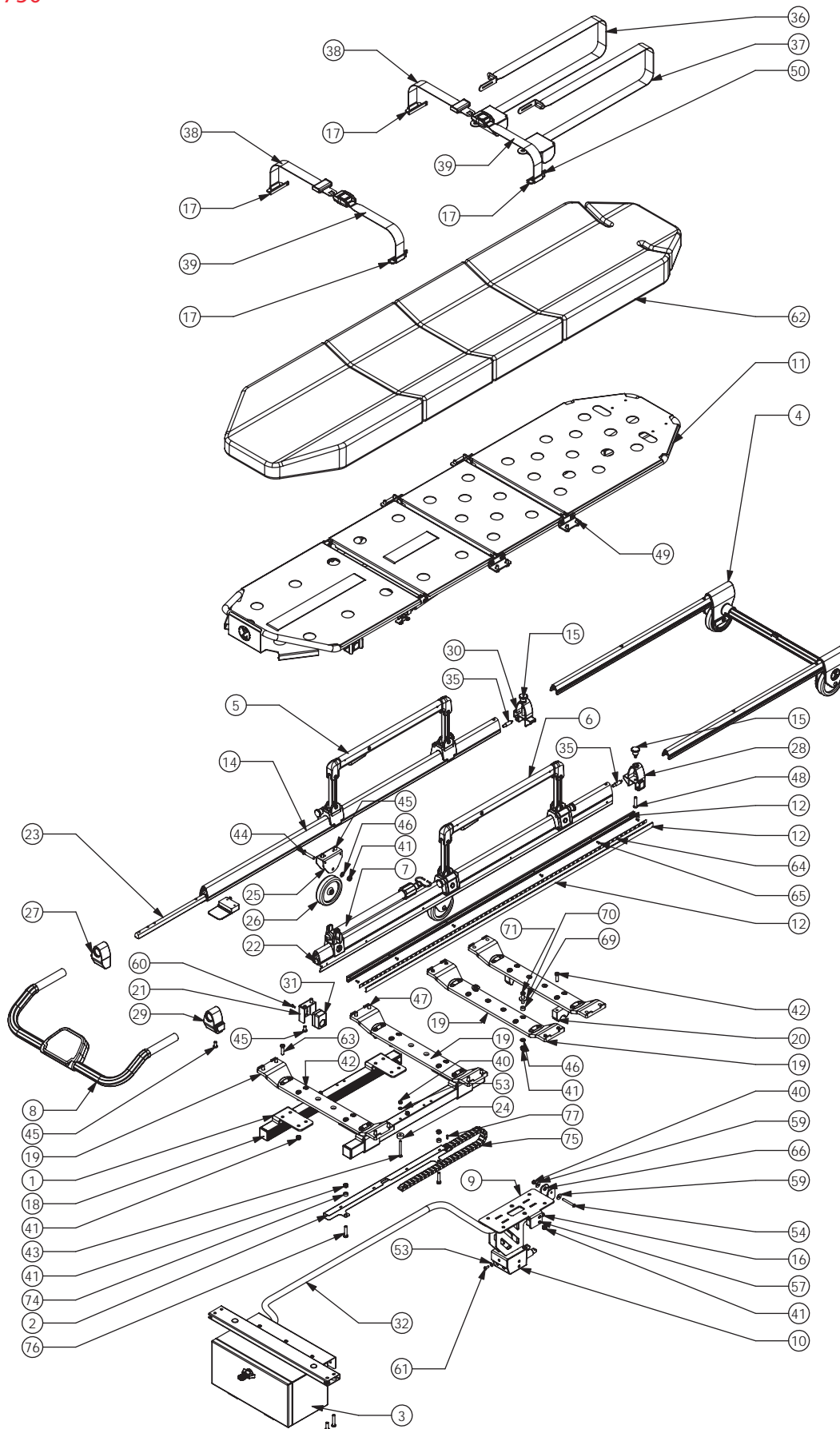
04 MOUNTING AND COMPONENTS

Nº ELEMENT	CODE - DESCRIPTION	QUANTITY
52	3111308251 - TORNILLO ISO7380 M8X25 CINCADO	2
53	31201061 - ARANDELA D-125 M6 CINCADA	9
54	3111306501 - TORNILLO ISO7380 M6X50 CINCADO	3
55	051329 - ARANDELA D-9021 M4 CINCADA	2
56	31305041 - TUERCA D-985 M-4 CINCADA	2
57	3111304301 - TORNILLO ISO7380 M4X30 CINCADO	2
58	3110808301 - TORNILLO D-7991 M8X30 CINCADO	4
59	31204061 - ARANDELA D-9021 M6 CINCADA	2
60	3110204101 - TORNILLO D-912 M4X10 CINCADO	4
61	3110905151 - TORNILLO DIN 7981 M5X15 CINCADO	3
62	PA-750 - MATALÀS TERMOSOLDAT ANATÒMIC	1
63	3111208301 - TORNILLO D-7984 M-8X30 CINCADO	8
64	T-LED3528 - TIRA ADHESIVA LED 12V-20W IP67	2
65	314010410 - REMACHE ALUMINIO Ø4X10	12
66	31201062 - ARANDELA D-125 PARA M6 NYLON BLANCO	2
69	105-4-CATUB - CASQUILLO TUBO Ø14X7	2
70	31204081 - ARANDELA D-9021 Ø8,4 CINC ADA	2
71	3110208351 - TORNILLO D-7984 M-8X35 CINCADO	2
74	105-4-CATUB - CASQUILLO 14X7X3 CINCADO	2
75	04160180-551 - CADENA CABLE ACTUADOR E2 MICRO S04 L551MM	1
76	3111208351 - TORNILLO D-7984 M-8X35 CINCADO	2
77	3140410 - REMACHE ALUMINIO Ø4X10	2



04 MOUNTING AND COMPONENTS

04.6 Exploded views of upper ensemble PC-750



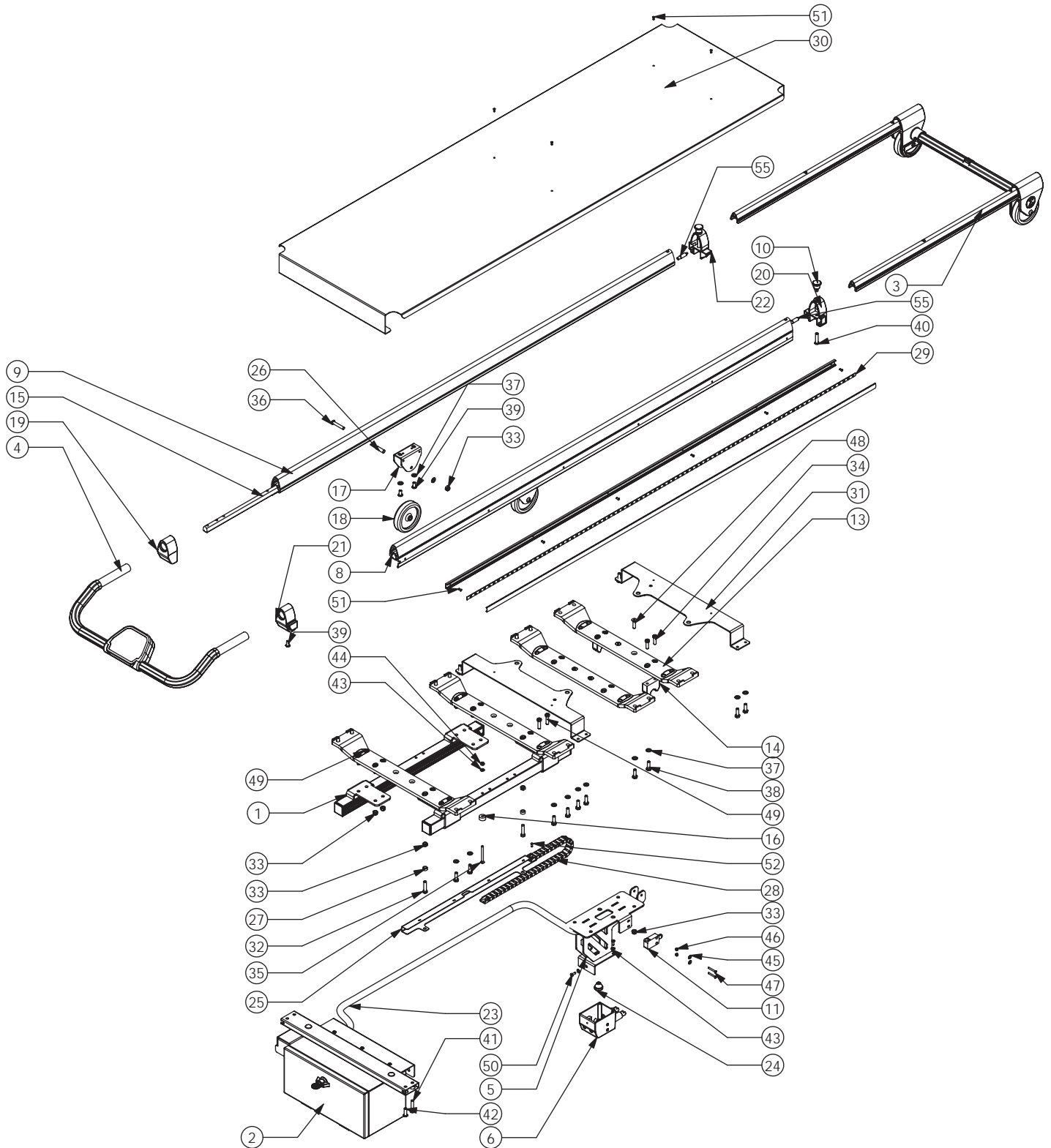
04 MOUNTING AND COMPONENTS

04.7 Bill of materials: UPPER ENSAMBLE PC-755

Nº ELEMENT	CODE - DESCRIPTION	QUANTITY
1	PC7500-11002 - CONJUNT GUIES SUPERIORS	2
2	PC7500-12000 - CONJUNT COMPARTIMENT BATERIES	1
3	PC7500-10000 - CONJUNT MARC CAPÇAL EXTENSIBLE	1
4	PC7500-09000 - CONJUNT CUADRE DE MANDOS	1
5	PC7500-14002 - SUBCONJUNT SUPORT CAPÇAL DE CARREGA	1
6	PC7500-17000 - CONJUNT CAPÇAL DE CARREGA CAMILLA	1
7	PC7550-03000 - CONJUNT INCUBADORA FULLWATT LED	2
8	PC7550-02012 - PERFIL SUPERIOR ALUMINI DRET INCUBADORA	1
9	PC7550-02022 - PERFIL SUPERIOR ALUMINI ESQUERRA INCUBADORA	1
10	GN 822-7-B-ST - POM POSICIONADOR SENSE BLOQUEIG	2
11	XCMD2102L3 - MICRO-RUPTOR AMB RODAMENT TELEMECANIQUE	1
12	PC7500-02030 - TAP FINAL GUIA RODAMENT POTES	4
13	PC7500-02042 - TIRANT PERFILS INTERMITJOS	4
14	PC7500-02050 - SUPORT DAVANTER GIRO POTES EXTERIORS	2
15	PC7550-02070 - FEMELLA SUBJECCIO PERFIL ALUMINI INCUBADORA	2
16	PB4100-02240 - DISC APOIO MOVIMENT LATERAL	2
17	PC7500-02092 - SUPORT RODA CONJUNT SUPERIOR CAMILLA	2
18	CD-RUEDA-100 - RODA PATÍ CAMILLA 100X24MM	2
19	PC7500-02122 - TERMINAL PERFIL SUPERIOR ESQUERRA	1
20	PC7500-02132 - TERMINAL PERFIL CAPÇAL RETRACTIL DRET	1
21	PC7500-02142 - TERMINAL PERFIL SUPERIOR DRET	1
22	PC7500-02152 - TERMINAL PERFIL CAPÇAL RETRACTIL ESQUERRA	1
23	PC7500-18150 - PASSACABLES ENDOLL DE CARGA LLARG 140CM	1
24	496379 - PASACABLES MOSS IP67 M20	1
25	PC7500-13012 - GUIA PASSACABLES GRUP ACTUADOR	1
26	COMP00867 - CASQUELL RODA	2
27	105-4-CATUB - CASQUILLO 14X7X3 CINCADO	2
28	04160180-551 - CADENA CABLE ACTUADOR E2 MICRO S04 L551MM	1
29	T-LED3529 - TIRA ADHESIVA LED 12V-20W IP67	2
30	PC7550-02030 - SAFATA CAMILLA INCUBADORA	1
31	PC7550-02042 - SUPORT SAFATA CAMILLA INCUBADORA	2
32	3111208351 - TORNILLO D-7984 M-8X35 CINCADO	2
33	31305081 - TUERCA D-985 M-8 CINCADO	22
34	3111208251 - TORNILLO D-7984 M-8X25 CINCADO	10
35	3110806601 - TORNILLO D-7991 M6X60 CINCADO	2
36	3111308451 - TORNILLO ISO7380 M8X45 CINCADO	2
37	31201081 - ARANDELA D-125 M8 CINCADO	26
38	3110408251 - TORNILLO D-933 M8X25 CINCADO	20
39	3111308161 - TORNILLO ISO7380 M8X16 CINCADO	6
40	3111308351 - TORNILLO ISO7380 M8X35 CINCADO	2
41	3111308401 - TORNILLO ISO7380 M8X40 CINCADO	2
42	3111308251 - TORNILLO ISO7380 M8X25 CINCADO	2
43	31201061 - ARANDELA D-125 M6 CINC ADO	6
44	31305061 - TUERCA D-985 M-6 CINC ADA	2
45	051329 - ARANDELA D-9021 M4 CINCADA	2
46	31305041 - TUERCA D-985 M-4 CINCADA	2
47	3111304301 - TORNILLO ISO7380 M4X30 CINCADO	2
48	3110808301 - TORNILLO D-7991 M8X30 CINCADO	4
49	3111208301 - TORNILLO D-7984 M-8X30 CINCADO	8
50	3110905151 - TORNILLO DIN 7981 M5X15 CINCADO	3
51	314010410 - REMACHE ALUMINIO Ø4X10	18
55	GN 611-M10-8-L - POSICIONADOR DE MUELLE M10	2

04 MOUNTING AND COMPONENTS

04.8 Exploded views of upper ensemble PC-755



04 MOUNTING AND COMPONENTS

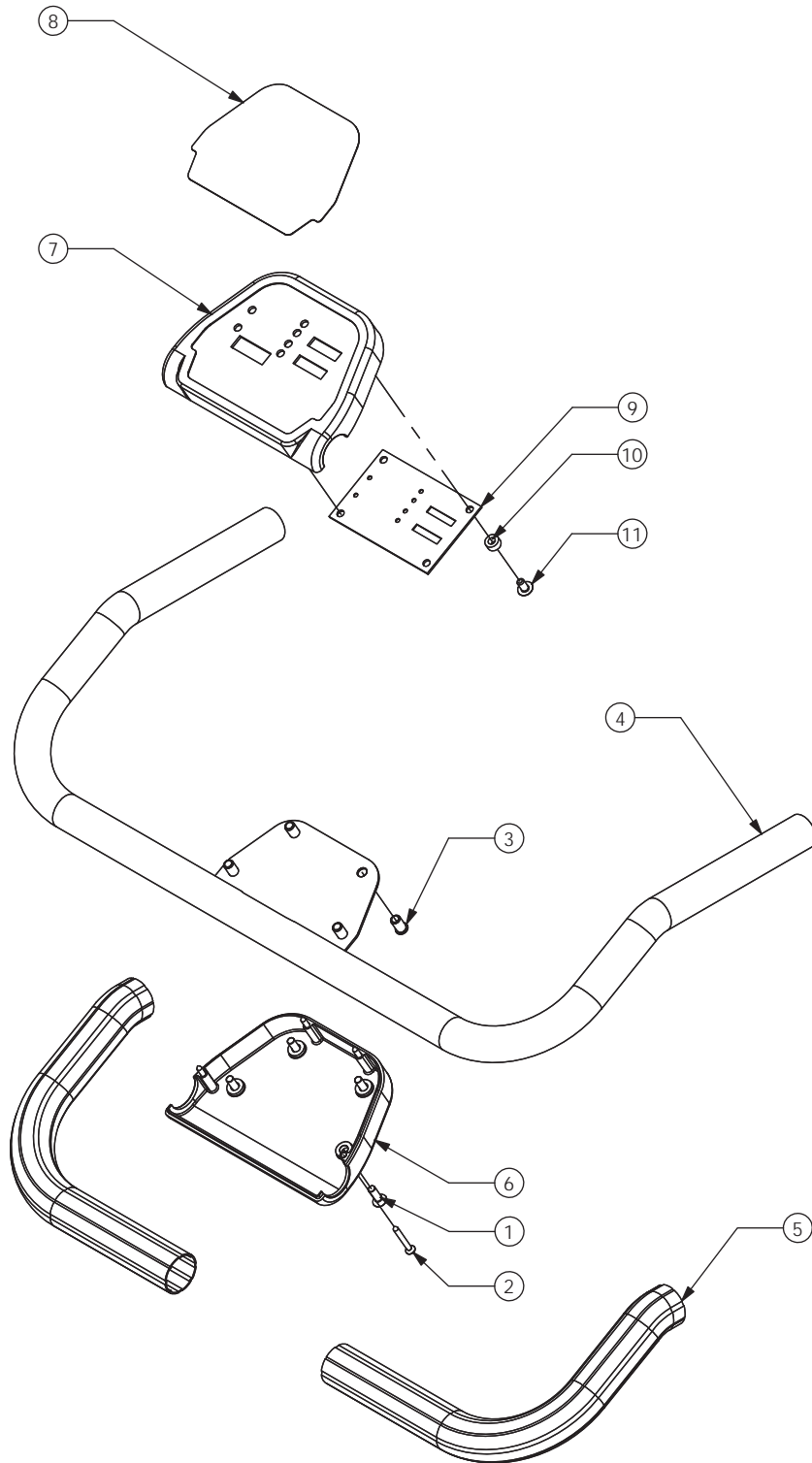
04.9 Bill of materials: CONTROL PANEL SET

PC-750 / PC-755

Nº ELEMENT	CODE - DESCRIPTION	QUANTITY
1	3110805163 - TORNILLO D-7991 M5X16 PAVONADO	4
2	212412-3 - TORNILLO DIN-7983 M5X32MM PAVONADO	4
3	3140105TP15 TUERCA REMACHABLE M-5 CON VALONA TP-15	4
4	PC7500-09012 - SUBCONJUNT TUB QUADRE DE MANDOS	1
5	PC7500-09070 - FUNDA TUB QUADRE DE MANDOS	1
6	PC7500-09050 - CARCASSA PANELL DE CONTROL INFERIOR	1
7	PC7500-09040 - CARCASSA PANELL DE CONTROL SUPERIOR	1
8	PC7500-09080 - MEMBRANA PANTALLA PANELL DE CONTROL	1
9	PC7500-09060 - PLACA ELECTRONICA CUADRE DE MANDOS	1
10	PC6500-03470 - CASQUELL MANETES EXTENSIBLES	4
11	2802000001 - TORNILLO M5 X10 TAPTITE PLANO	4

04 MOUNTING AND COMPONENTS

04.10 Exploded views CONTROL PANEL SET PC-750 / PC-755



04 MOUNTING AND COMPONENTS

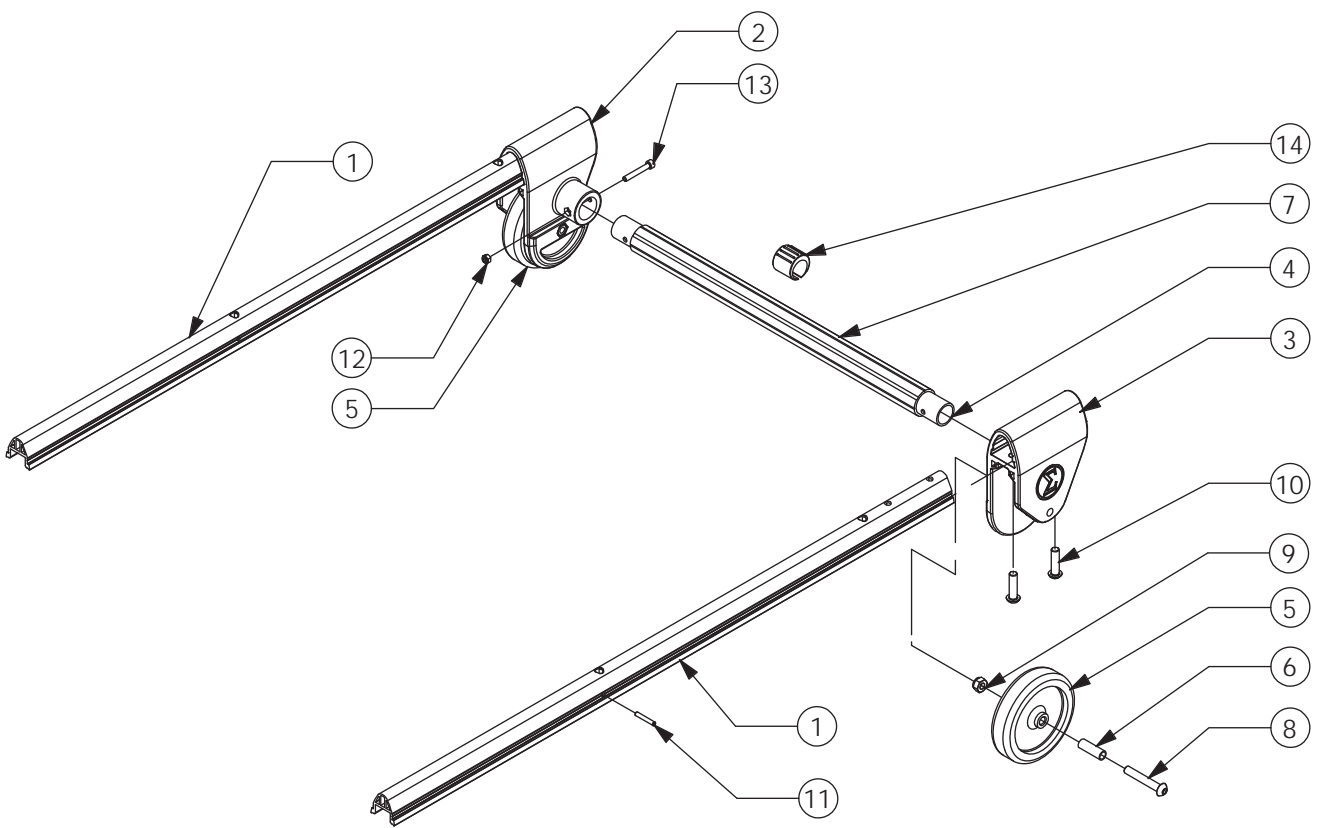
04.11 Bill of materials: FRAME SET

PC-750 / PC-755

Nº ELEMENT	CODE - DESCRIPTION	QUANTITY
1	PC7500-10010 - PERFIL TELESCOPIC CAPÇAL EXTENSIBLE	2
2	PC7500-10020 - CANTONERA SUPORT RODA MARC CAPÇAL ESQUERRA	1
3	PC7500-10030 - CANTONERA SUPORT RODA MARC CAPÇAL DRETA	1
4	PC7500-10040 - TUB UNIÓ CAPÇAL EXTENSIBLE	1
5	PC6500-03150 - RODA PATÍ	2
6	COMP00867 - CASQUELL RODA	2
7	PC7500-10050 - FUNDA TUB UNIÓ CAPÇAL EXTENSIBLE	1
8	3111308501 TORNILLO ISO7380 M8X50 CINCADO	2
9	31305081 TUERCA D-985 M-8 CINCADA	2
10	3111308301 TORNILLO ISO7380 M8X30 CINCADO	4
11	PA1481-4X26N PASADOR ELASTICO D-1481 4X26 NEGRO	2
12	31305051 TUERCA D-985 M-5 CINCADA	2
13	3110205351 - TORNILLO D-912 M5X35	2
14	499305 - MOSS TOPE TUBO DIAM.25	1

04 SET UP AND QUARTERING

04.12 Exploding FRAME SET PC-750 / PC-755



04 MOUNTING AND COMPONENTS

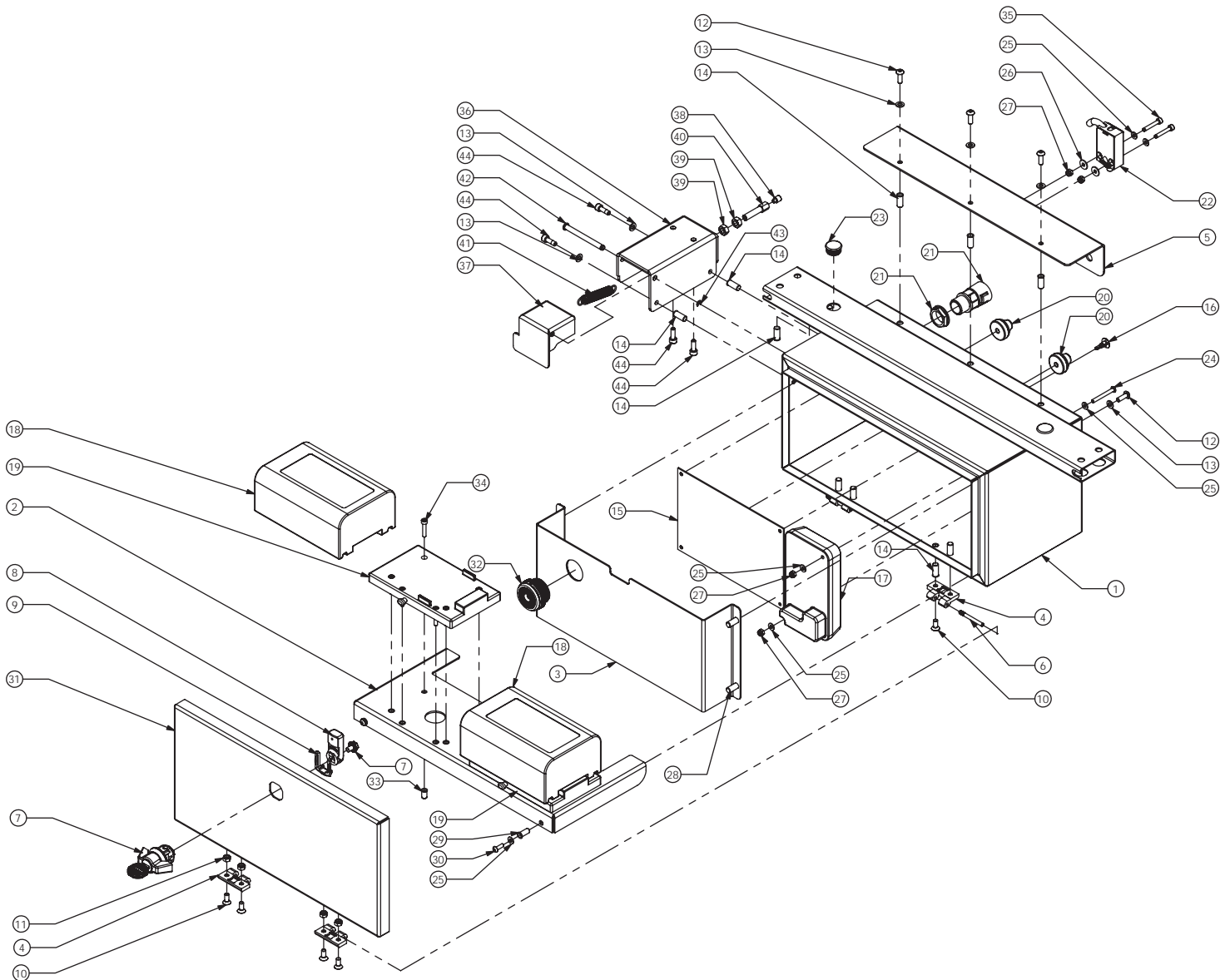
04.13 Bill of materials: BATTERIES CABINET SET

PC-750 / PC-755

Nº ELEMENT	CODE - DESCRIPTION	QUANTITY
1	PC7500-12012 - SUBCONJUNT CAIXA COMPARTIMENT BATERIES	1
2	PC7500-12062 - SAFATA ANCLATGE BATERIES	1
3	PC7500-12072 - SAFATA PLACA ELECTRICA	1
4	1056-U30 - BISAGRA ARMARI EMKA REF. 1056-U30	4
5	PC7500-12092 - SUPORT MICRO FINAL DE CARRERA	1
6	1056-U30 - EIX BISAGRA ARMARI EMKA REF. 1056-U30	2
7	1500-U347 - PANY CUART DE VOLTA AMB PALOMETA REF. 1500-U347	1
8	1000-386-18 - PASTELL PANY CUART DE VOLTA REF. 1000-386-18	1
9	1500-05-15- EMKA CLIP REF. 1500-05-15	1
10	3110805121 - TORNILLO D-7991 M5X12 CINCADO	8
11	31305051 TUERCA D-985 M-5 CINCADA	4
12	3111305151 TORNILLO ISO7380 M5X15 CINCADO	7
13	31201051 ARANDELA D-125 M5 CINCADA	9
14	314020501 - TUERCA REMACHABLE M-5 CIEGA GRAF SIN VALONA	11
15	PC7500-12040 - PLACA DE CONTROL PRINCIPAL PC-750	1
16	CRLCBSRE-4-01BK - SEPARADOR PCB H6.4	4
17	PC7500-12110 - VARIADOR MOTOR PC-750	1
18	PC7500-02100 - BATERIA ENERGIVM 2500 MAH - 25.6V	2
19	PC7500-02110 - ADAPTADOR BATERIA ENERGIVM	2
20	496379 - PASACABLES MOSS IP67 M20	2
21	494612 - TERMINAL CONDUCTO PASACABLES DIAM.20	1
22	XCMD2110L1 - MICRO-RUPTOR AMB PULSADOR TELEMECANIQUE	1
23	TAP-PLASTØ20 - TAPON PLASTICO FINAL Ø20 - MOD. 17-20	2
24	3111304351 TORNILLO ISO7380 M4X35 CINCADO	2
25	31201041 - ARANDELA D-125 M4 CINCADA	8
26	051329 - ARANDELA D-9021 M4 CINCADA	2
27	31305041 - TUERCA D-985 M-4 CINCADA	4
28	3140105TPB15 - TUERCA REMACHABLE M-5 CON VALONA TPB-15	4
29	3140104TPB15 - TUERCA REMACHABLE M-4 CON VALONA TPB-15	2
30	3111304121 - TORNILLO ISO7380 M4X12 CINCADA	2
31	PC7500-12120 - SUBCONJUNT PORTA COMPARTIMENT BATERIES	1
32	PC7500-12130 - MINIZUMBADOR INT SEE-2071 6-24V CC	1
33	314020412 - TUERCA REMACHABLE M-4 GRAF SIN VALONA	12
34	3110204201 - TORNILLO D-912 M4X20 CINCADO	12
35	3110204251 - TORNILLO D-912 M4X25 CINCADO	2
36	PC7500-12142 - SUPORT U PULSADOR SEGURETAT	1
37	PC7500-12102 - PALANCA PULSADOR SEGURETAT	1
38	PB4010-00060 - TERMINAL FUNDA CABLES T01-05	1
39	31301071 - TUERCA D-934 M-7 CINCADA	2
40	PB4010-00040 - TENSOR UNIVERSAL	1
41	PB4400-03130 - MOLLA GANXOS	1
42	317010660 - PERNO CON RANURA 6X60 CINCADO	1
43	31207051 - ARANDELA D-6799 PARA Ø5 CINCADA	1
44	3110205151 - TORNILLO D-912 M5X15 CINCADO	4

04 MOUNTING AND COMPONENTS

04.14 Exploded views of BATTERIES CABINET SET PC-750 / PC-755



04 MOUNTING AND COMPONENTS

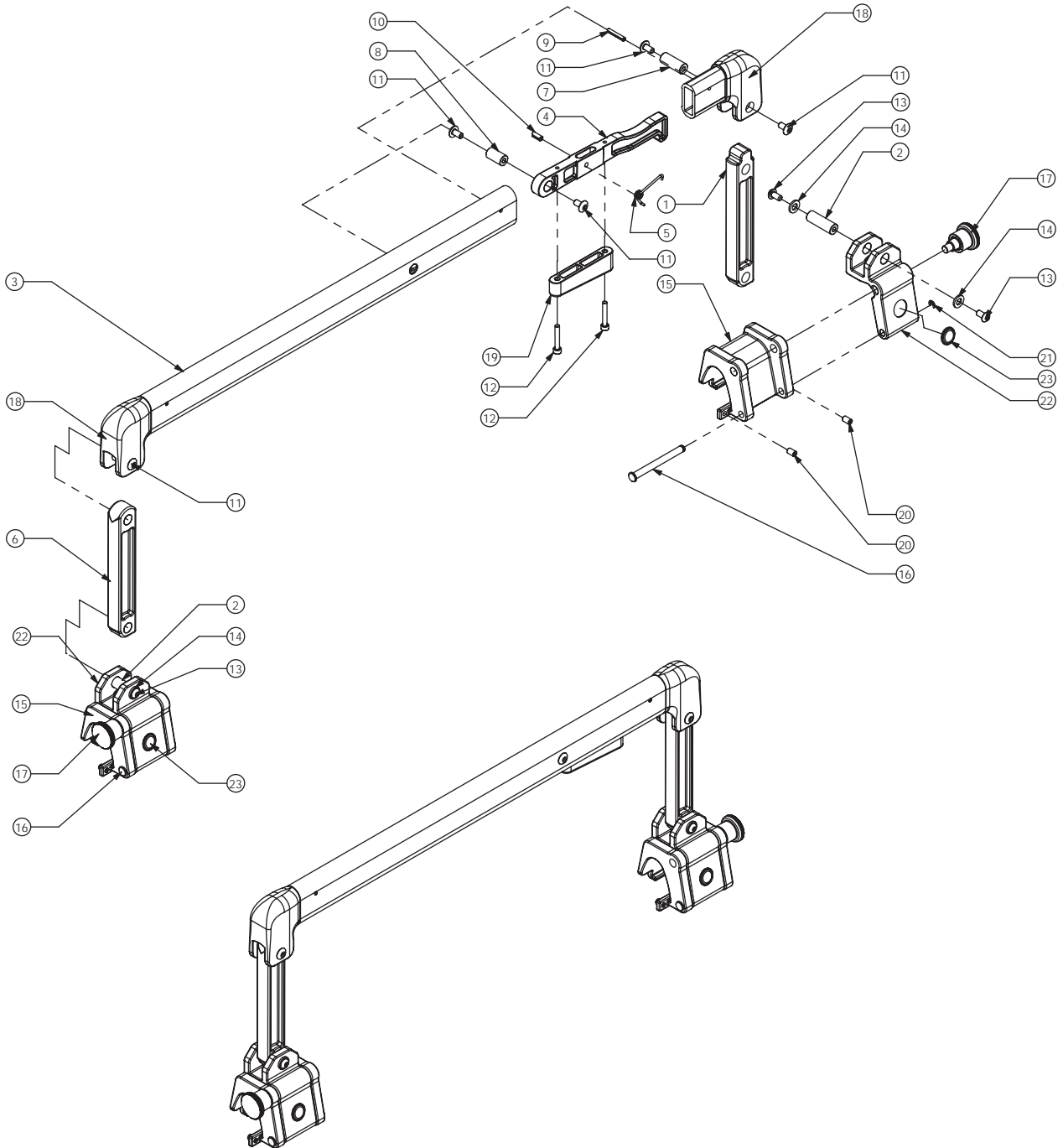
04.15 Bill of materials: LEFT HANDRAIL ENSAMBLE

PC-750

Nº ELEMENT	CODE - DESCRIPTION	QUANTITY
1	PC6501-04040 - SUPORT ACCIONAMENT	1
2	PC6501-04170 - CASQUELL SEPARADOR L30	2
3	PC6501-04112 - TUB OVAL BARANETA	1
4	PC6501-04160 - GATELL I MANETA ACCIOMANENT BARANETA	1
5	PC6501-04140 - MOLLA GATELL BARANETA	1
6	PC6501-04100 - SUPORT ARRASTRE	1
7	PC6501-04090 - CASQUELL SEPARADOR L25	2
8	PC6501-04080 - CASQUELL SEPARADOR L18	1
9	PA1481-3X20N - PASADOR ELASTICO D-1481 3X20 NEGRO	2
10	PA1481-4X10N - PASADOR ELASTICO D-1481 4X10 NEGRO	1
11	2802000001 - TORNILLO M5 X10 TAPTITE PLANO	6
12	3110204251 - TORNILLO D-912 M4X25 CINCADO	2
13	3131305101 - TORNILLO ISO7380 M5X10 CINCADO	4
14	31201061 - ARANDELA D-125 M6 CINCADA	4
15	PC7500-15022 - SUPORT FIXACIÓ BARANA	2
16	317010660 - PERNO CON RANURA 6X60 CINCADO	2
17	GN 822-7-B-ST - POM POSICIONADOR SENSE BLOQUEIG	2
18	PC6501-04150A - CANTONERA BARANETA TUB OVAL	2
19	PC6501-04020 - MANETA ACCIONAMENT BARANETA	1
20	3160305081 - ESPARREC D-914 M5X8	4
21	31207051 - ARANDELA D-6799 PARA Ø5 CINCADA	2
22	PC7500-15012 - SUPORT FIXACIÓ BARANA ABATIBLE ESQUERRA	2
23	461241 - POTA AUTOADHESIVA 19X1.9MM	2

04 MOUNTING AND COMPONENTS

04.16 Exploded views of LEFT HANDRAIL ENSAMBLE PC-750



04 MOUNTING AND COMPONENTS

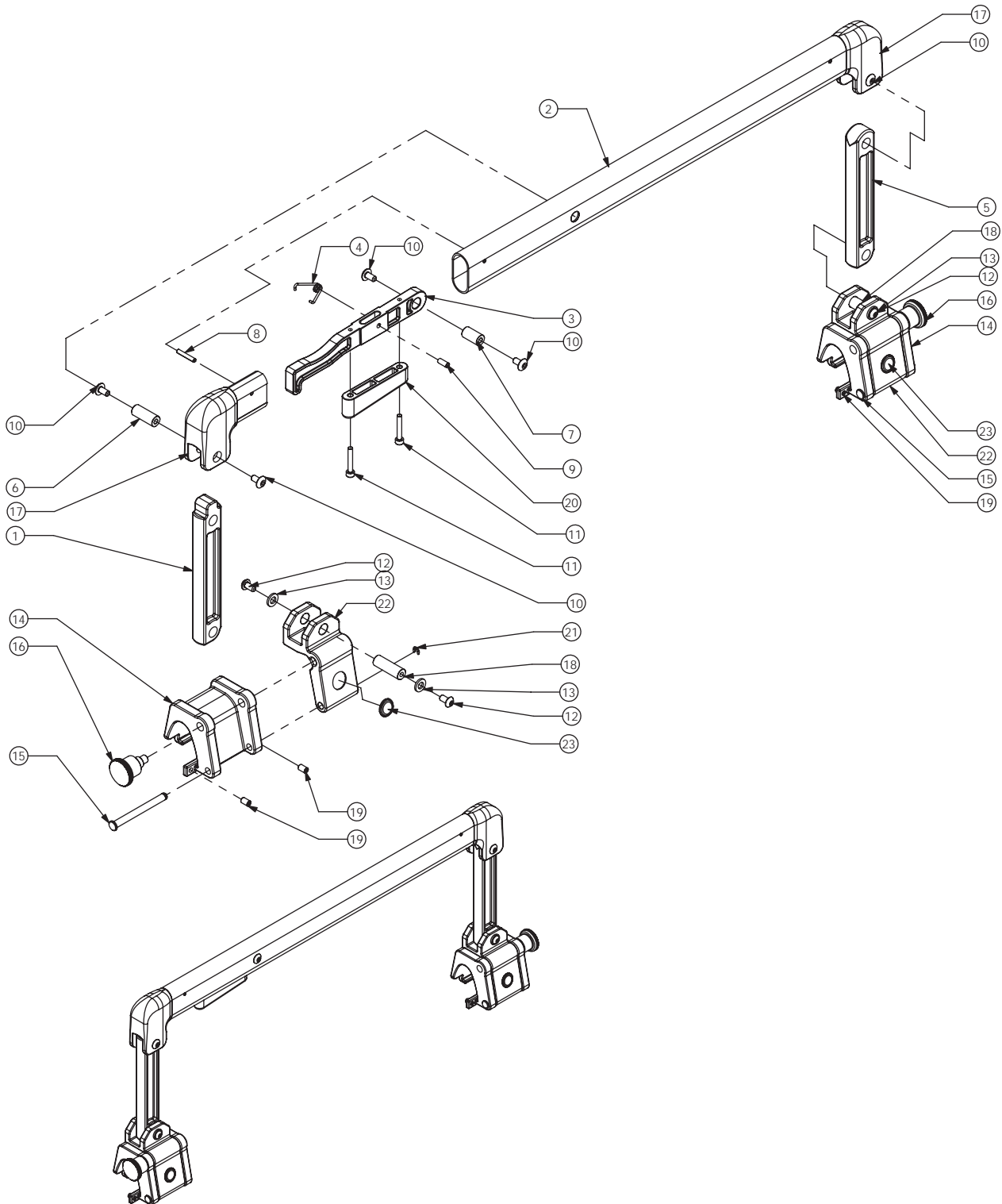
04.17 Bill of materials: RIGHT HANDRAIL ENSAMBLE

PC-750

Nº ELEMENT	CODE - DESCRIPTION	QUANTITY
1	PC6501-04040 - SUPORT ACCIONAMENT	1
2	PC6501-04112 - TUB OVAL BARANETA	1
3	PC6501-04160 - GATELL I MANETA ACCIOMANENT BARANETA	1
4	PC6501-04140 - MOLLA GATELL BARANETA	1
5	PC6501-04100 - SUPORT ARRASTRE	1
6	PC6501-04090 - CASQUELL SEPARADOR L25	2
7	PC6501-04080 - CASQUELL SEPARADOR L18	1
8	PA1481-3X20N - PASADOR ELASTICO D-1481 3X20 NEGRO	2
9	PA1481-4X10N - PASADOR ELASTICO D-1481 4X10 NEGRO	1
10	2802000001 - TORNILLO M5 X10 TAPTITE PLANO	6
11	3110204251 - TORNILLO D-912 M4X25 CINCADO	2
12	3131305101 - TORNILLO ISO7380 M5X10 CINCADO	4
13	31201061 - ARANDELA D-125 M6 CINCADA	4
14	PC7500-15022 - SUPORT FIXACIÓ BARANA	2
15	317010660 - PERNO CON RANURA 6X60 CINCADO	2
16	GN 822-7-B-ST - POM POSICIONADOR SENSE BLOQUEIG	2
17	PC6501-04150A - CANTONERA BARANETA TUB OVAL	2
18	PC6501-04170 - CASQUELL SEPARADOR L30	2
19	3160305081 - ESPARREC D-914 M5X8	4
20	PC6501-04020 - MANETA ACCIONAMENT BARANETA	1
21	31207051 - ARANDELA D-6799 PARA Ø5 CINCADA	2
22	PC7500-16012 - SUPORT FIXACIÓ BARANA ABATIBLE DRETA	2
23	461241 - POTA AUTOADHESIVA 19X1.9MM	2

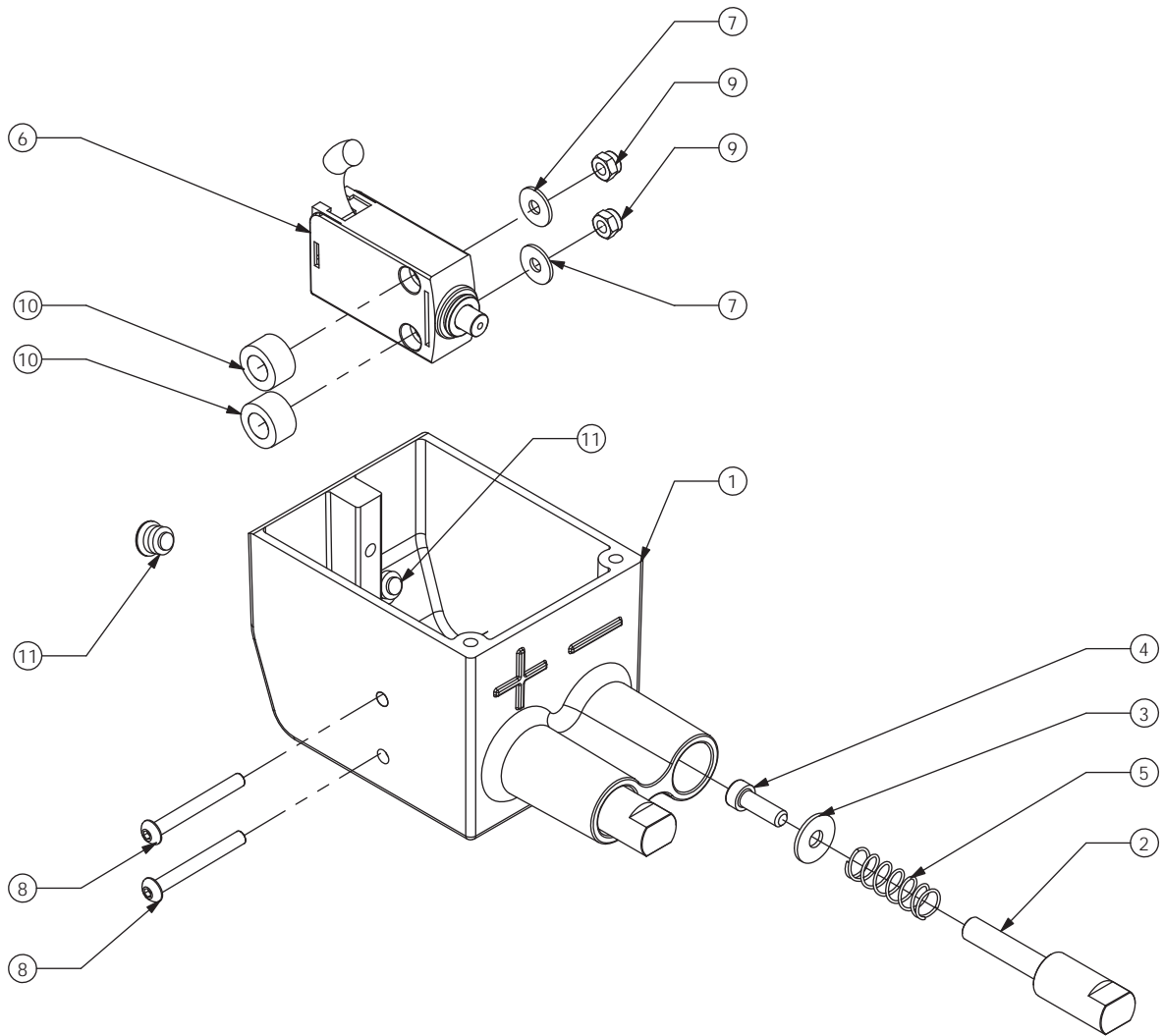
04 MOUNTING AND COMPONENTS

04.18 Exploded views RIGHT HANDRAIL ENSEMBLE PC-750



04 MOUNTING AND COMPONENTS

04.20 Exploded views of HEADREST SET OF STRETCHER'S LOADING PC-750 / PC-755



04 MOUNTING AND COMPONENTS

04.21 Bill of materials:

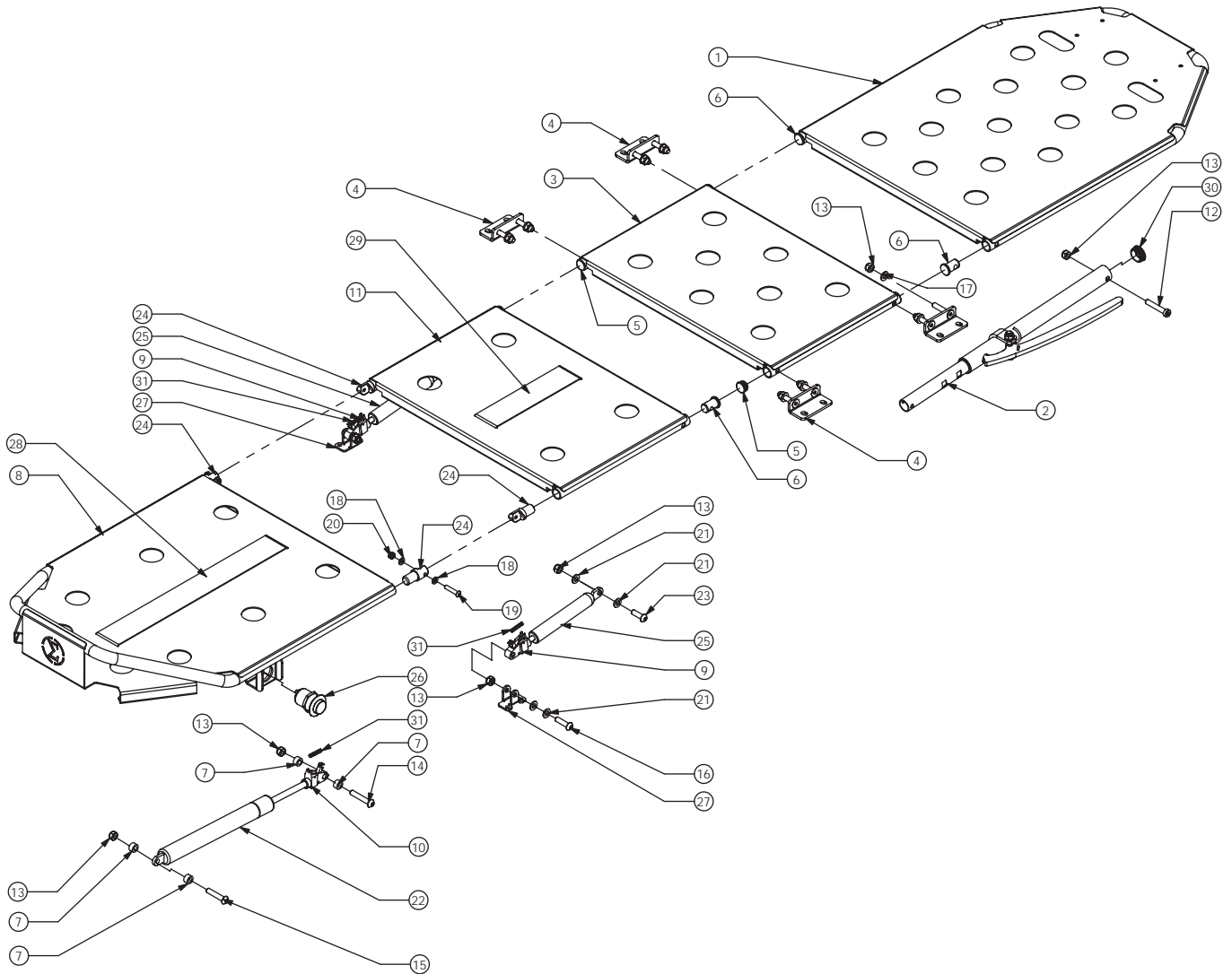
STRETCHER'S BED SET

PC-750

Nº ELEMENT	CODE - DESCRIPTION	QUANTITY
1	PC7500-18052 - SUBCONJUNT TUB RESPATLLER	1
2	PC6500-06230 - CONJUNT REGULADOR RESPATLLER	1
3	PC6500-06312 - SUBCONJUNT XAPA FIXE LLITERA	1
4	PC6500-06011 - SUBCONJUNT SOPORT GIR LLITERA	4
5	TAP-PLASTØ20 - TAPON PLASTICO FINAL Ø20 - MOD. 17-20	4
6	PC6500-06040 - CASQUELL RESPATLLER	4
7	105-4-CATUB - CASQUILLO TUBO Ø14X7	4
8	PC7500-18062 - SUBCONJUNT TUB PEUS CURT	1
9	LA-ST-M8X1 - BLOQUEIG AMORTITZER STABILUS M8	2
10	LA-ST-M10X1 - BLOQUEIG AMORTITZER STABILUS M10	1
11	PC7500-18012 - SUBCONJUNT XAPA MOVIL LLITERA	1
12	3111208451 - TORNILLO D-7984 M-8X45 CINCADO	1
13	31305081 - TUERCA D-985 M-8 CINCADA	15
14	3111308451 - TORNILLO ISO7380 M8X45 CINCADO	1
15	3111308401 - TORNILLO ISO7380 M8X40 CINCADO	1
16	3111308301 - TORNILLO ISO7380 M8X30 CINCADO	2
17	31201081 - ARANDELA D-125 M8 CINCADA	8
18	31201061 - ARANDELA D-125 M6 CINCADA	4
19	3111306301 - TORNILLO ISO7380 M6X30 CINC	2
20	31305061 - TUERCA D-985 M-6 CINCADA	2
21	31201082 - ARANDELA D-125 PARA M8 NYLON BLANCO	8
22	006377 - AMORTITZER STABILUS DIAM.28 - 200N	1
23	3111308251 - TORNILLO ISO7380 M8X25 CINCADO	2
24	PC6500-06050 - CASQUELL GIR REPOSAPEUS	4
25	934989 - AMORTITZER STABILUS DIAM.22 - 160N	2
26	EBT-392924HH - PULSADOR AWP SIMPLE NEGRO-ROJO CABLE 750MM	1
27	PC7500-18131 - SUPORT AMORTITZER TRENDELEMBURG INFERIOR	2
28	VELCRO-N50F - VELCRO AMPLE 50MM NEGRE L450 (FEMELLA)	1
29	VELCRO-N50F - VELCRO AMPLE 50MM NEGRE L250 (FEMELLA)	1
30	TAP-PLASTØ28 - TAPON PLASTICO FINAL Ø28 - MOD. 17-28	1
31	PC7500-18160 - MOLLA COMPRESSIÓ AMORTITZERS LLITERA	3

04 MOUNTING AND COMPONENTS

04.22 Exploded views of STRETCHER'S BED SET PC-750



04 MOUNTING AND COMPONENTS

04.23 Bill of materials:

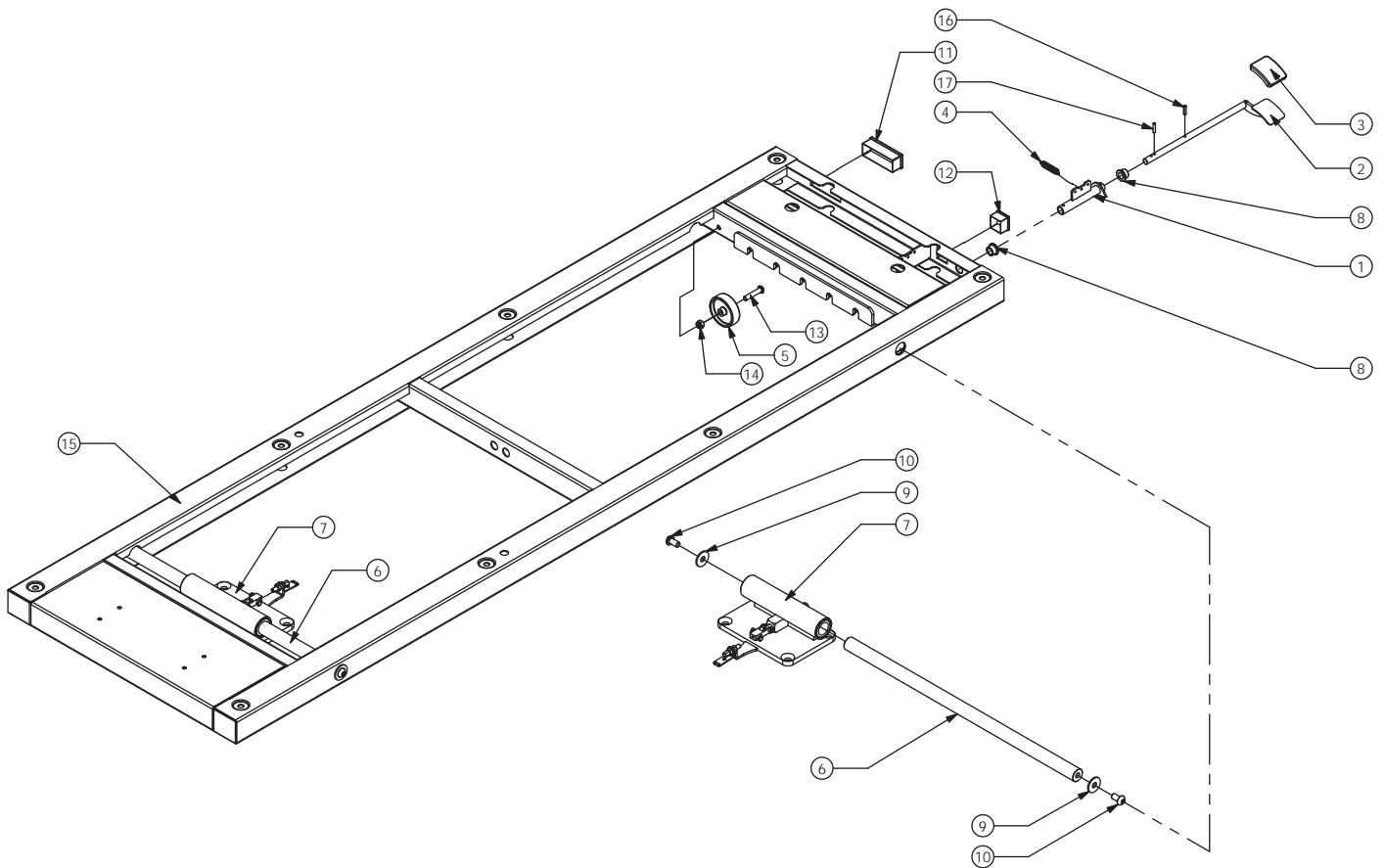
PLATFORM ENSAMBLE

PB-720

Nº ELEMENTO	CODIGO - DESCRIPCIÓN	CANTIDAD
1	PB4200-01162 - SUBCONJUNT TENSOR TOPE	1
2	PB4200-01122 - SUBCONJUNT PALANCA PEU	1
3	PB4100-02360 - GOMA PEDAL MOVIMENT LATERAL	1
4	PA5100-05031 - MOLLA ESPIRAL	1
5	3060 - RODA POSTERIOR 60MM	4
6	PB4200-01210 - GUIA MOVIMENT LATERAL	2
7	PB4100-01000 - CONJUNT PLETINA COLLADA	2
8	PB4020-00110 - CASQUELL AMB VALONA Ø12-17X12	2
9	31204101 - ARANDELA D-9021 M10 CINCADA	4
10	3111310201 - TORNILLO ISO7380 M10X20 CINCADO	4
11	TAPPLA-80X30 - TAPON PLASTICO INTERIOR 80X30	1
12	TAPPLA-30X30 - TAPON PLASTICO INTERIOR 30X30	1
13	3111308401 - TORNILLO ISO7380 M8X40 CINCADO	4
14	31305081 - TUERCA D-985 M-8 CINCADA	4
15	PB7200-09002 - SUBCONJUNT PLATAFORMA PB-720	1
16	PASA4X18N - PASADORT ELASTICO D-1481 4X18 NEGRO	1
17	PA1481-4X20N - PASADOR ELASTICO D-1481 4X20 NEGRO	1

04 MOUNTING AND COMPONENTS

04.24 Exploded views of PLATFORM ENSEMBLE PB-720



04 MOUNTING AND COMPONENTS

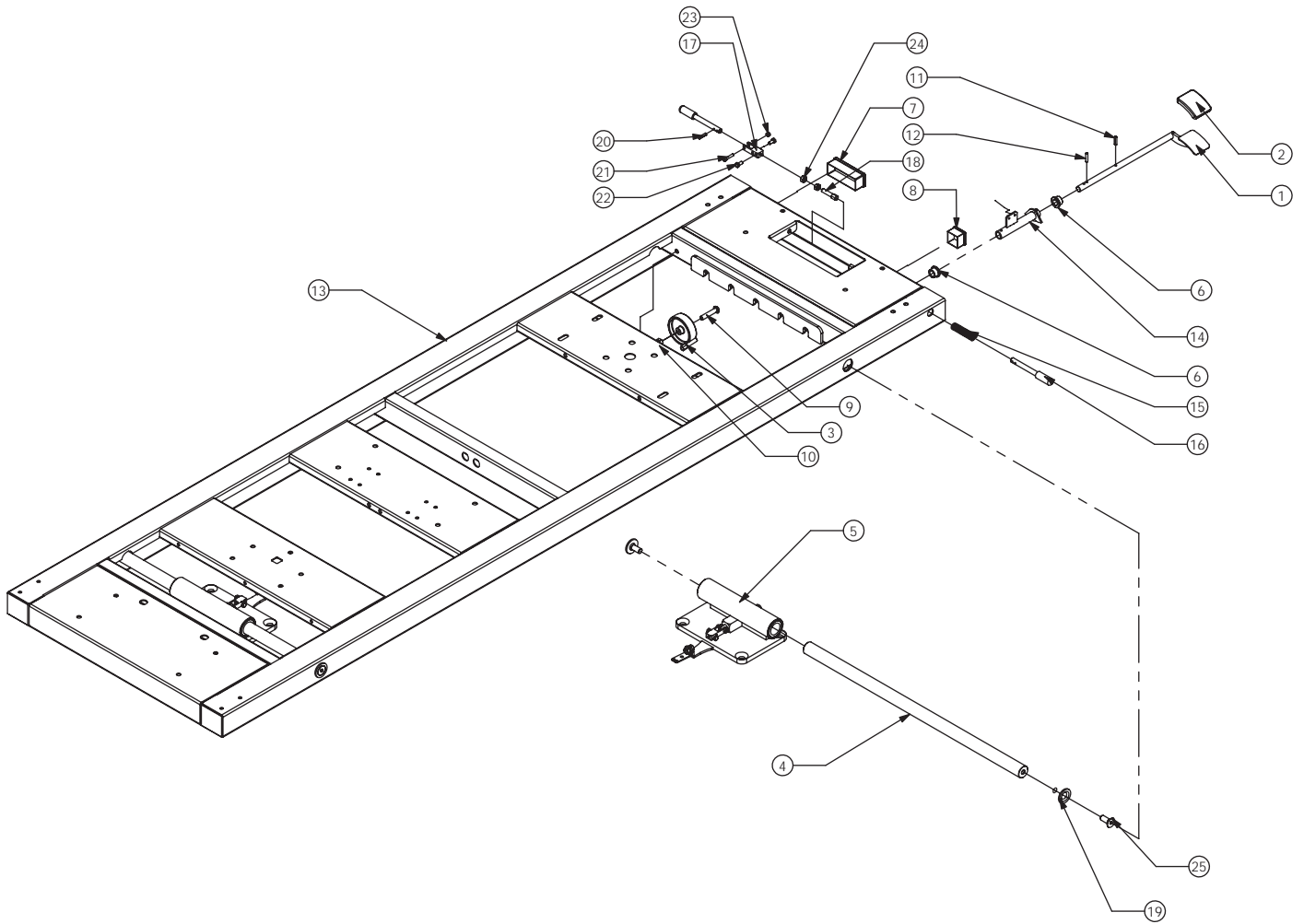
04.25 Bill of materials: PLATFORM ENSAMBLE

PB-725

Nº ELEMENT	CODE - DESCRIPTION	QUANTITY
1	PB4200-01122 - SUBCONJUNT PALANCA PEU	1
2	PB4100-02360 - GOMA PEDAL MOVIMENT LATERAL	1
3	3060 - RODA POSTERIOR 60MM	4
4	PB4200-01210 - GUIA MOVIMENT LATERAL	2
5	PB4100-01000 - CONJUNT PLETINA COLLADA	2
6	PB4020-00110 - CASQUELL AMB VALONA Ø12-17X12	2
7	TAPPLA-80X30 - TAPON PLASTICO INTERIOR 80X30	1
8	TAPPLA-30X30 - TAPON PLASTICO INTERIOR 30X30	1
9	3111308401 - TORNILLO ISO7380 M8X40 CINCADO	4
10	31305081 - TUERCA D-985 M-8 CINCADA	4
11	PASA4X18N - PASADORT ELASTICO D-1481 4X18 NEGRO	1
12	PA1481-4X20N - PASADOR ELASTICO D-1481 4X20 NEGRO	1
13	PB7250-09002 - SUBCONJUNT PLATAFORMA PB-725	1
14	PB7250-01162 - SUBCONJUNT TENSOR TOPE	1
15	303-339 - MOLLA COMPRESSIÓ 55X13.75X2	2
16	PB4100-00291 - VALDA FIXACIO	2
17	PC6170-03291 - BRIDA SUBJECCIÓ BALDA	2
18	PB4010-00040 - TENSOR UNIVERSAL	2
19	PB7250-03011 - ARANDELA COLLADA EIX	4
20	PA1481-4X18N - PASADOR ELASTICO D-1481 4X18 NEGRO	2
21	3110204201 - TORNILLO D-912 M4X20 CINCADO	2
22	3110405101 - TORNILLO D-933 M5X10 CINCADO	4
23	31305041 - TUERCA D-985 M-4 CINCADA	2
24	31301071 - TUERCA D-934 M-7 CINCADA	4
25	3110810251 - TORNILLO D-7991 M10X25 CINCADO	4

04 MOUNTING AND COMPONENTS

04.26 Exploded views of PLATFORM ENSEMBLE PB-725



04 MOUNTING AND COMPONENTS

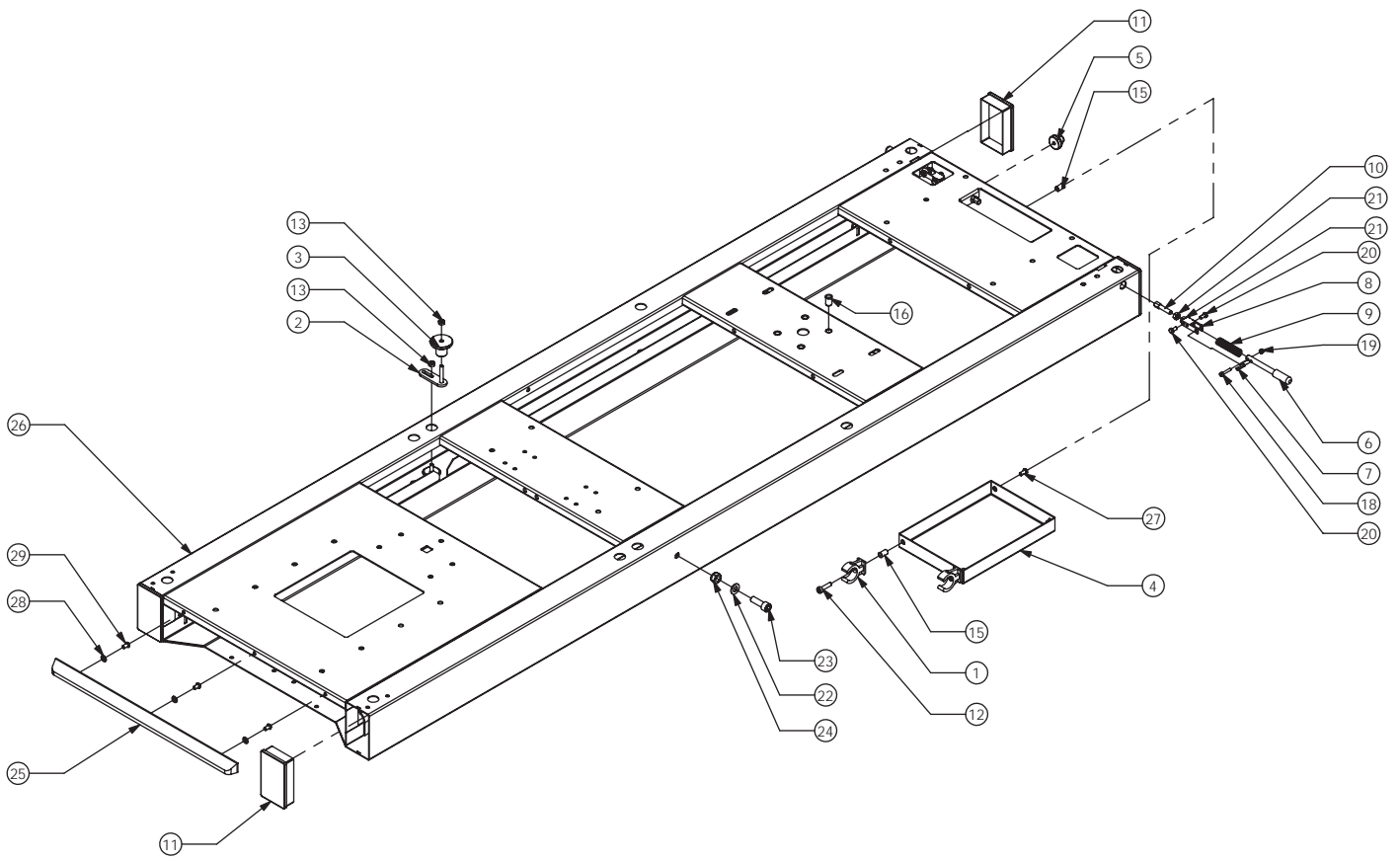
04.27 Bill of materials: SUPPLEMENT ENSAMBLE

PB-720

Nº ELEMENT	CODE - DESCRIPTION	QUANTITY
1	PB4100-04420 - BRIDA SUBJECCIO PALES	2
2	PB4200-02112 - XAPA TOPE CAMILLA	2
3	PB4200-02090 - CASQUELL SOPORT CAMILLA	2
4	PB4200-02082 - U TOPE PALAS	1
5	496379 - PASACABLES MOSS IP67 M20	1
6	PB4100-00291 - VALDA FIXACIO	2
7	PA1481-4X18N - PASADOR ELASTICO D-1481 4X18 NEGRO	2
8	PC6170-03291 - BRIDA SUBJECCIO BALDA	2
9	303-339 - MOLLA COMPRESSIO 55X13.75X2	1
10	PB4010-00040 - TENSOR UNIVERSAL	2
11	TAPPLA100X60 - TAPON PLASTICO INTERIOR 100X60	4
12	3111206251 - TORNILLO D-7984 M-6X25 CINCADO	2
13	31305061 - TUERCA D-985 M-6 CINCADA	4
14	3110806401 - TORNILLO D-7991 M6X40 CINCADO	2
15	3140200600 - TUERCA REMACHABLE M-6 GRAF SIN VALONA	4
16	314020801 - TUERCA REMACHABLE M-8 GRAF SIN VALONA	4
17	31201081 - ARANDELA D-125 M8 CINCADA	1
18	3110204201 - TORNILLO D-912 M4X20 CINCADO	2
19	31305041 - TUERCA D-985 M-4 CINCADA	2
20	3110405101 - TORNILLO D-933 M5X10 CINCADO	4
21	31301071 - TUERCA D-934 M-7 CINCADA	4
22	31201101 - ARANDELA D-125 PARA M10 CINCADA	2
23	3110210301 - TORNILLO D-912 M-10X30 CINCADO	2
24	31305101 - TUERCA D-985 M-10 CINCADA	2
25	PB7200-04010 - RAMPA CONJUNT SUPLEMENT PB-720	1
26	PB7200-08002 - SUBCONJUNT SUPLEMENT PB-720	1
27	3111306161 - TORNILLO ISO-7380 M6X16 CINCADO	2
28	31201061 - ARANDELA D-125 M6 CINCADA	3
29	3111306101 - TORNILLO ISO-7380 M6X10 CINCADO	3

04 MOUNTING AND COMPONENTS

04.28 Exploded views of SUPPLEMENT ENSEMBLE PB-720



04 MOUNTING AND COMPONENTS

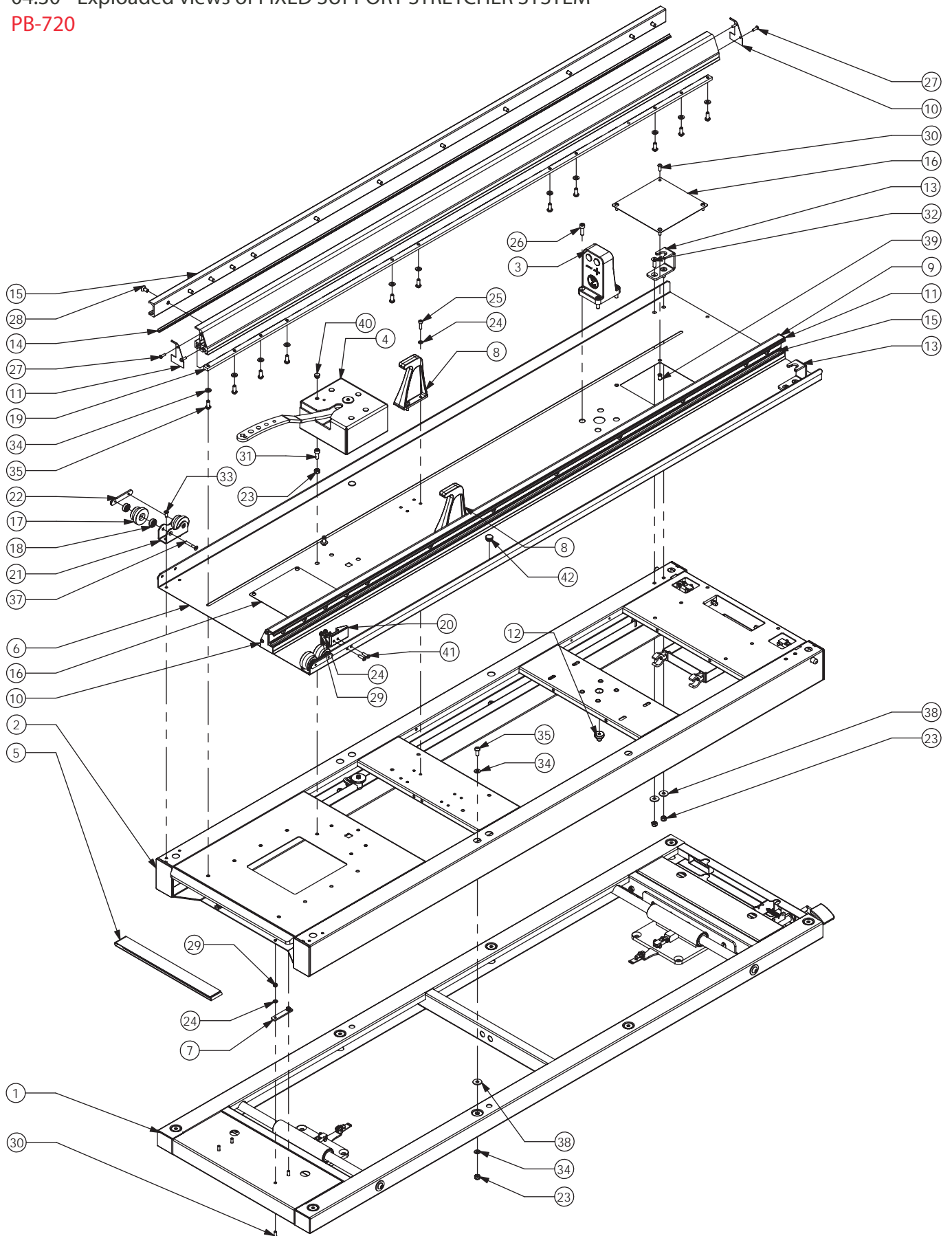
04.29 Bill of materials: FIXED SUPPORT STRETCHER SYSTEM

PB-720

Nº ELEMENT	CODE - DESCRIPTION	QUANTITY
1	PB7200-03000 - CONJUNT PLATAFORMA PB-720	1
2	PB7200-04000 - CONJUNT SUPLEMENT PB-720	1
3	PB7200-10000 - CONJUNT CAPÇAL DE CARREGA PB-720	1
4	PB7200-11000 - CONJUNT TENCA TERCER PUNT PB-720	1
5	PC6500-05100 - CINTA SUBJECCIÓ TAULA 1MT	1
6	PB7200-02010 - SAFATA INOX RAIL PB-720	1
7	PC2100-04012 - PASSAMA 14X4	2
8	PB7200-02022 - GANXO CENTRAL RAIL	2
9	PB7200-02030 - PERFIL EXTERIOR GUIA RAIL	2
10	PB7200-02040 - TAPA PERFIL EXTERIOR GUIA DRETA	2
11	PB7200-02140 - TAPA PERFIL EXTERIOR GUIA ESQUERRA	2
12	496379 - PASACABLES MOSS IP67 M20	1
13	PB7200-02052 - GANXO POSTERIOR SUPLETORI DAVANTER	2
14	PB7200-02060 - JUNTA GOMA PERFIL EXTERIOR GUIA RAIL	4
15	TLV-43-01946 - GUIA ROLLON TLV-43 L-1946MM	2
16	PB7200-02070 - TAPA ACCES SAFATA INOX	2
17	PB7200-02080 - RODA NYLON SUPORT RAIL EXTRAIBLE	4
18	636ZZ - RODAMENT DE BOLES SELLAT 07X22X6MM	8
19	PB7200-02101 - PASAMA COLLADA GUIA RAIL EXTRAIBLE	2
20	PB7200-02110 - TOPE DESBLOQUEIG RAIL EXTRAIBLE	1
21	PB7200-02122 - SUPORT RODA DOBLE RAIL EXTRAIBLE	2
22	PB7200-02131 - PASSAMA COLLADA RODES ENTRADA RAIL	2
23	31305081 - TUERCA D-985 M-8 CINCADA	17
24	31201061 - ARANDELA D-125 M6 CINCADA	14
25	3110206201 - TORNILLO D-912 M-6X20 CINCADO	8
26	3110208251 - TORNILLO D-912 M-8X25 CINCADO	4
27	3111305161 - TORNILLO ISO7380 M5X16 CINCADO	8
28	3110808165 - TORNILLO D-7991 M8X16 INOX	24
29	31305061 - TUERCA D-985 M-6 CINCADA	14
30	3111306161 - TORNILLO ISO-7380 M6X16 CINCADO	12
31	3110208201 - TORNILLO D-912 M-8X20 CINCADO	5
32	3110808251 - TORNILLO D-7991 M8X25	4
33	3110806161 - TORNILLO D-7991 M6X16 CINCADO	4
34	31201081 - ARANDELA D-125 M8 CINCADA	38
35	3111308201 - TORNILLO ISO-7380 M8X20 CINCADO	30
36	31204061 ARANDELA D-9021 M6 CINCADA	8
37	3110806401 - TORNILLO D-7991 M6X40 CINCADO	4
38	31204081 - ARANDELA D-9021 Ø8,4 CINCADA	12
39	314020601 - TUERCA REMACHABLE M-6 GRAF SIN VALONA	8
40	TAP-PLASTØ14 - TAPON PLASTICO FINAL Ø14 - MOD. 17-14	5
41	3111306201 TORNILLO ISO7380 M6X20 CINCADA	2
42	TAP-PLASTØ20 - TAPON PLASTICO FINAL Ø20 - MOD. 17-20	2

04 MOUNTING AND COMPONENTS

04.30 Exploded views of FIXED SUPPORT STRETCHER SYSTEM PB-720



04 MOUNTING AND COMPONENTS

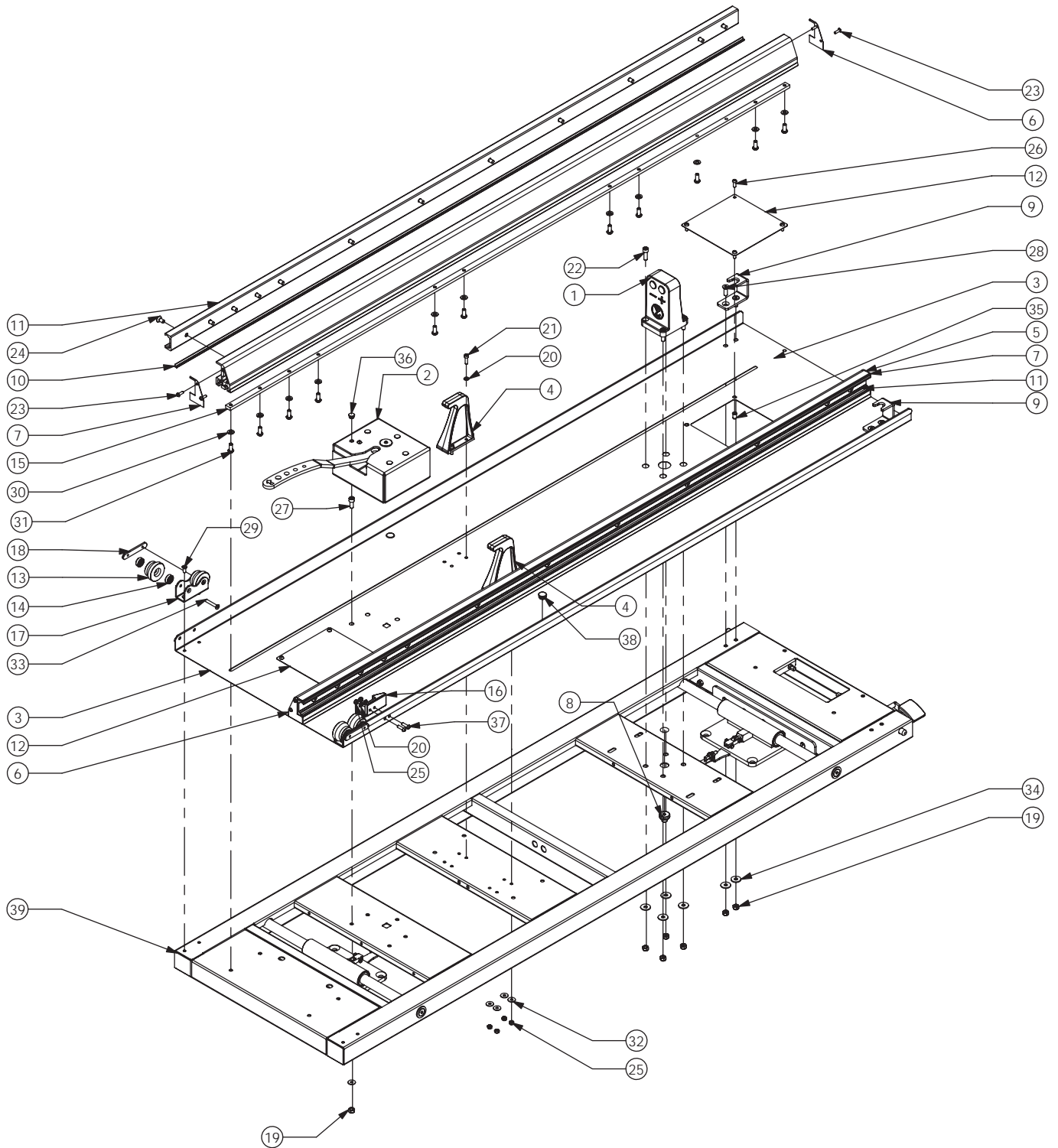
04.31 Bill of materials: FIXED SUPPORT STRETCHER SYSTEM

PB-725

Nº ELEMENT	CODE - DESCRIPTION	QUANTITY
1	PB7200-10000 - CONJUNT CAPÇAL DE CARREGA PB-720	1
2	PB7200-11000 - CONJUNT TENCA TERCER PUNT PB-720	1
3	PB7200-02010 - SAFATA INOX RAIL PB-720	1
4	PB7200-02022 - GANXO CENTRAL RAIL	2
5	PB7200-02030 - PERFIL EXTERIOR GUIA RAIL	2
6	PB7200-02040 - TAPA PERFIL EXTERIOR GUIA DRETA	2
7	PB7200-02140 - TAPA PERFIL EXTERIOR GUIA ESQUERRA	2
8	496379 - PASACABLES MOSS IP67 M20	1
9	PB7200-02052 - GANXO POSTERIOR SUPLETORI DAVANTER	2
10	PB7200-02060 - JUNTA GOMA PERFIL EXTERIOR GUIA RAIL	4
11	TLV-43-01946 - GUIA ROLLON TLV-43 L-1946MM	2
12	PB7200-02070 - TAPA ACCES SAFATA INOX	2
13	PB7200-02080 - RODA NYLON SUPORT RAIL EXTRAIBLE	4
14	636ZZ - RODAMENT DE BOLES SELLAT 07X22X6MM	8
15	PB7200-02101 - PASAMA COLLADA GUIA RAIL EXTRAIBLE	2
16	PB7200-02110 - TOPE DESBLOQUEIG RAIL EXTRAIBLE	1
17	PB7200-02122 - SUPORT RODA DOBLE RAIL EXTRAIBLE	2
18	PB7200-02131 - PASSAMA COLLADA RODES ENTRADA RAIL	2
19	31305081 - TUERCA D-985 M-8 CINCADA	13
20	31201061 - ARANDELA D-125 M6 CINCADA	10
21	3110206201 - TORNILLO D-912 M-6X20 CINCADO	8
22	3110208251 - TORNILLO D-912 M-8X25 CINCADO	4
23	3111305161 - TORNILLO ISO7380 M5X16 CINCADO	8
24	3110808165 - TORNILLO D-7991 M8X16 INOX	24
25	31305061 - TUERCA D-985 M-6 CINCADA	14
26	3111306161 - TORNILLO ISO-7380 M6X16 CINCADO	8
27	3110208201 - TORNILLO D-912 M-8X20 CINCADO	5
28	3110808251 - TORNILLO D-7991 M8X25 CINCADO	4
29	3110806161 - TORNILLO D-7991 M6X16 CINCADO	4
30	31201081 - ARANDELA D-125 M8 CINCADA	22
31	3111308201 - TORNILLO ISO-7380 M8X20 CINCADO	22
32	31204061 - ARANDELA D-9021 M6 CINCADA	17
33	3110806401 - TORNILLO D-7991 M6X40 CINCADO	4
34	31204081 - ARANDELA D-9021 Ø8,4 CINCADA	8
35	314020601 - TUERCA REMACHABLE M-6 GRAF SIN VALONA	8
36	TAP-PLASTØ14 - TAPON PLASTICO FINAL Ø14 - MOD. 17-14	5
37	3111306201 - TORNILLO ISO7380 M6X20 CINCADO	2
38	TAP-PLASTØ20 - TAPON PLASTICO FINAL Ø20 - MOD. 17-20	2
39	PB7250-03000 - CONJUNT PLATAFORMA PB-725	1

04 MOUNTING AND COMPONENTS

04.32 Exploded views of FIXED SUPPORT STRETCHER SYSTEM PB-725



04 MOUNTING AND COMPONENTS

04.33 Bill of materials: REMOVABLE SUPPORT STRETCHER SYSTEM

PB-720/PB-725

Nº ELEMENT	CODE - DESCRIPTION	QUANTITY
1	PB7200-12002 - SUBCONJUNT RAIL EXTRAIBLE PB-720	1
2	PB7200-13002 - SUBCONJUNT VARILLA DESBLOQUEIG RAIL EXTRAIBLE	1
3	PB7200-14012 - SUBCONJUNT SUPORT RODA RAIL EXTRAIBLE	2
4	PB7200-01022 - SUPORT RODA RAIL EXTRAIBLE	2
5	PB7200-01010 - PERFIL UNIO RAIL EXTRAIBLE A GUIES	2
6	40011 - RUEDA CON EJE DE BOLAS Ø75X24MM	4
7	PB7200-01031 - TAPAFINAL PERFIL SUPORT CAMILLA DRETA	1
8	PB7200-01041 - TAPAFINAL PERFIL SUPORT CAMILLA ESQUERRA	1
9	PB7200-01051 - TAPAFINAL PERFIL UNIO RAIL ESQUERRA	1
10	PB7200-01061 - BARRA INTERIOR COLLADA UNIO RAIL	2
11	PB7200-01072 - PATI ENTRADA PERFIL SUPORT CAMILLA DRET	1
12	PB7200-01082 - PATI ENTRADA PERFIL SUPORT CAMILLA ESQUERRA	1
13	CPA43-2Z - RODAMIENTO ROLLON EXCENTRICO	14
14	WCST43 - RASCADOR ROLLON PARA GUIA TLV	4
15	PB7200-01112 - PASTELL DESBLOQUEIG RAIL EXTRAIBLE	1
16	PB7200-01121 - TAPAFINAL PERFIL UNIO RAIL DRETA	1
17	PB7200-01130 - MOLLA ACCIONAMENT DESBLOQUEIG RAIL EXTRAIBLE	1
18	PB7200-01140 - CASQUELL SEPARADOR PASTELL DESBLOQUEIG RAIL EXTRAIBLE	2
19	PB7200-01152 - GANXO SEGURETAT CAMILLA RAIL EXTRAIBLE	2
20	PB7200-01171 - PASSAMA COLLADA EXTERIOR RAIL EXTRAIBLE	2
21	PB7200-01181 - PLETINA ANCLATGE GATELL RAIL EXTRAIBLE DRETA	1
22	PB7200-01191 - PLETINA ANCLATGE GATELL RAIL EXTRAIBLE ESQUERRA	1
23	37285 - NANSA PLASTIC ELESA+GANter REF. 37285-C9	1
24	PB7200-01201 - BARRA INTERIOR COLLADA RODES POSTERIOS RAIL EXTRAIBLE	2
25	166364 - POMO CON ESPARRAGO ELESA+GANter M8X30	2
26	PB7200-01160 - PROTECCIÓ GANXO SEGURETAT CAMILLA RAIL EXTRAIBLE	2
27	TAPPLA-40X20 - TAPON PLASTICO INTERIOR 40X20	4
28	PB7200-01092 - TUB GUIA CAMILLA RAIL EXTRAIBLE ESQUERRA	1
29	PB7200-01102 - TUB GUIA CAMILLA RAIL EXTRAIBLE DRETA	1
30	005604059902 - CASQUELL ESPACIADOR 8.2X18X20MM	6

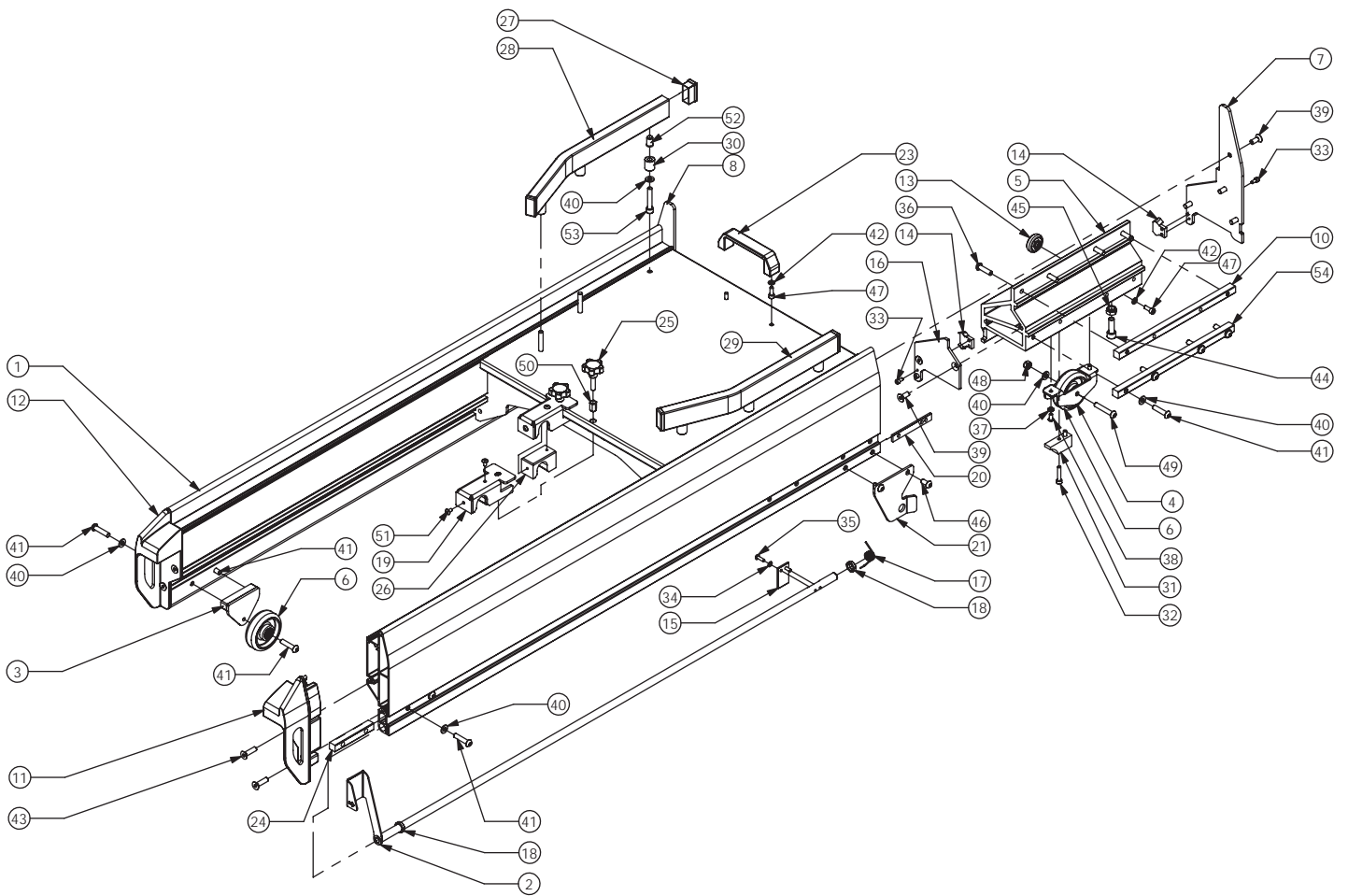
04 MOUNTING AND COMPONENTS

Nº ELEMENT	CODE - DESCRIPTION	QUANTITY
31	PB7200-01220 - TOPE EXTRACCIÓN RAIL EXTRAIBLE	2
32	3110206301 - TORNILLO D-912 M-6X30 CINCADO	4
33	3110205151 - TORNILLO D-912 M5X10 CINCADO	8
34	31201051 - ARANDELA D-125 M5 CINCADA	2
35	3111305161 - TORNILLO ISO7380 M5X16 CINCADO	2
36	3111308301 - TORNILLO ISO7380 M8X30 CINCADO	8
37	31203063 - ARANDELA D-6798A PARA M6 PAVONADA	4
38	3111306121 - TORNILLO ISO-7380 M6X12 CINCADO	4
39	3110808201 - TORNILLO D-7991 M8X20 CINADO	12
40	31201081 - ARANDELA D-125 M8 CINCADA	20
41	3111308351 - TORNILLO ISO7380 M8X35 CINCADO	14
42	31201061 - ARANDELA D-125 M6 CINCADA	16
43	3110808301 - TORNILLO D-7991 M8X30 CINCADO	4
44	3110210301 - TORNILLO D-912 M-10X30 CINCADO	2
45	31305101 - TUERCA D-985 M-10 CINCADA	2
46	3111308161 - TORNILLO ISO7380 M8X16 CINCADO	4
47	3110206161 - TORNILLO D-912 M-6X16 CINCADO	16
48	31305081 - TUERCA D-985 M-8 CINCADA	2
49	3111308451 - TORNILLO ISO7380 M8X45 CINCADO	2
50	314020802 - TUERCA REMACHABLE M-8 S-VALONA HEXAGONAL	2
51	2802000001 - TORNILLO M5 X10 TAPTITE PLANO	4
52	314020801 - TUERCA REMACHABLE M-8 GRAF SIN VALONA	6
53	3110208451 - TORNILLO D-912 M-8X45 CINCADO	6
54	PB7200-01231 - BARRA INTERIOR UNIO RAIL	2



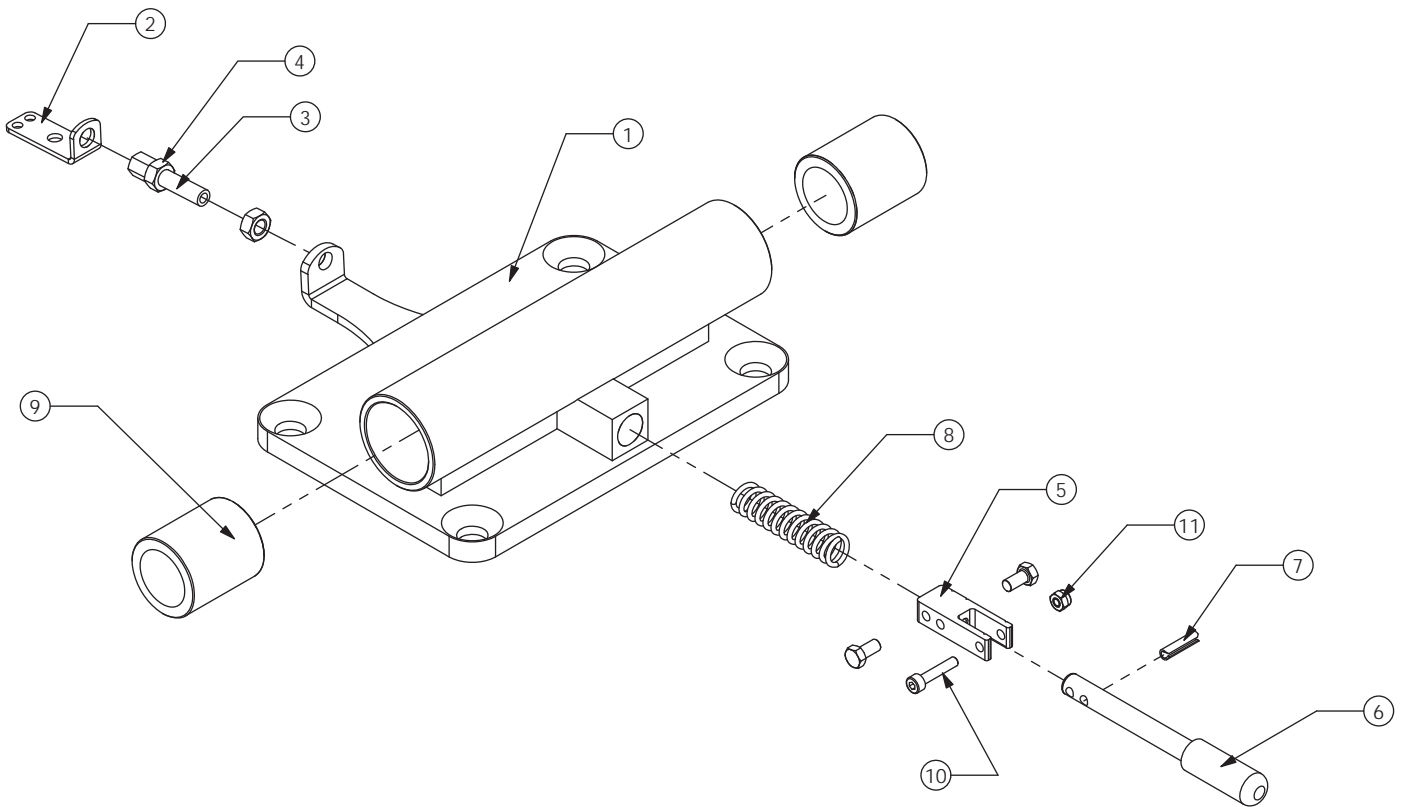
04 MOUNTING AND COMPONENTS

04.34 Exploded views of REMOVABLE SUPPORT STRETCHER SYSTEM PB-720/PB-725



04 MOUNTING AND COMPONENTS

04.36 Exploded views of SET PLATE PB-720/PB-725



04 MOUNTING AND COMPONENTS

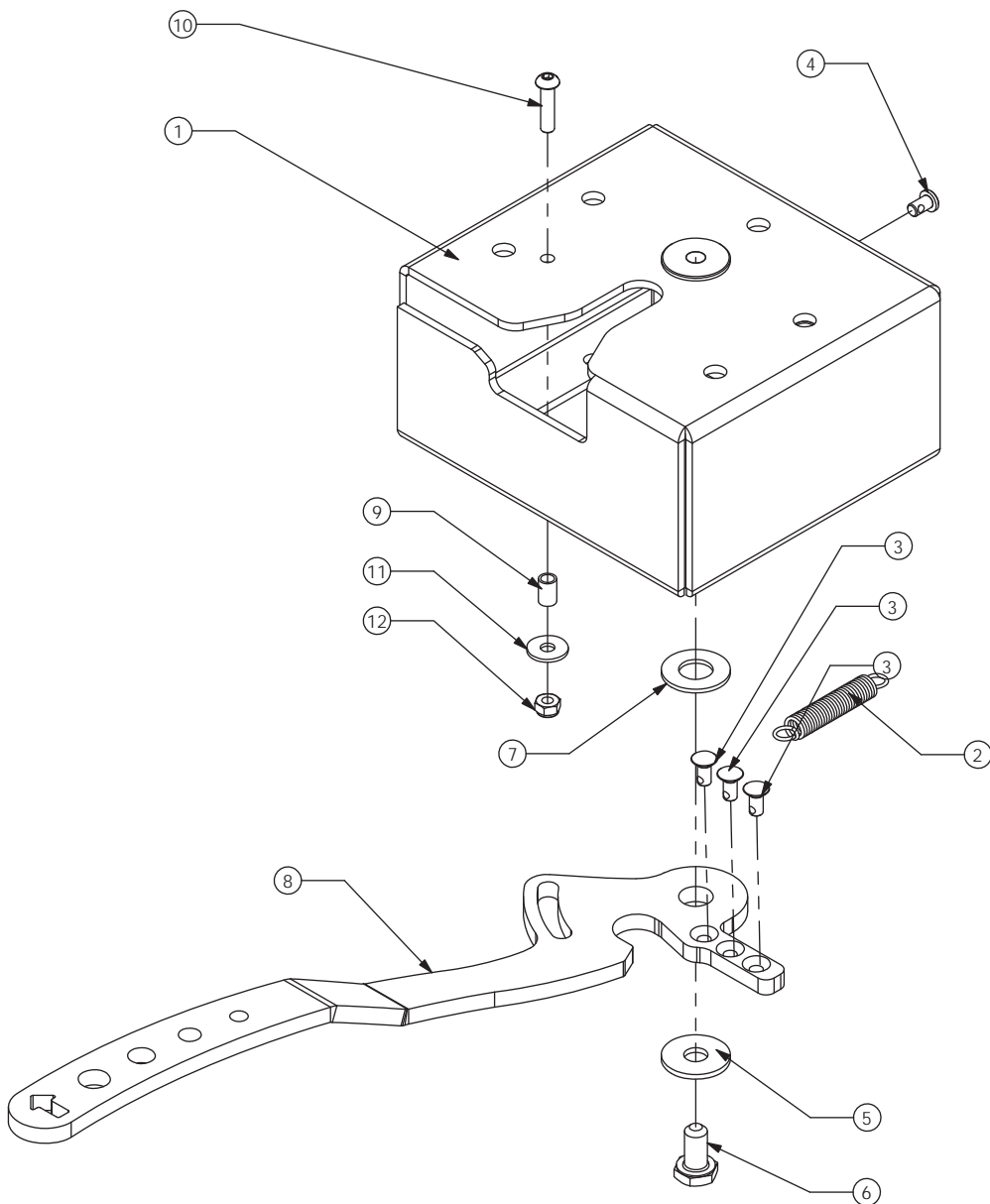
04.37 Bill of materials: ANCHOR POINT SET

PB-720/PB-725

Nº ELEMENT	CODE - DESCRIPTION	QUANTITY
1	PB7200-11012 - SUBCONJUNT TENCA TERCER PUNT	1
2	PB4400-03130 - MOLLA GANXOS	1
3	PB4550-02221 - SUPORT MOLLA AVELLANAT	3
4	PA5500-00021 - SUPORT MOLLA	1
5	31204101 - ARANDELA D-9021 M10 CINC	1
6	3110410201 - TORNILLO D-933 M10X20 CINCADO	1
7	PB4170-03300 - ARANDELA AMORTIGUACIÓ TENCA	1
8	PB7200-11032 - PALANCA ANCLATGE TERCER PUNT	1
9	PB7200-11051 - CASQUELL TOPE MANETA	1
10	3111306251 - TORNILLO ISO7380 M6X25 CINC	1
11	31204061 - ARANDELA D-9021 M6 CINCADA	1
12	31305061 - TUERCA D-985 M-6 CINCADA	1

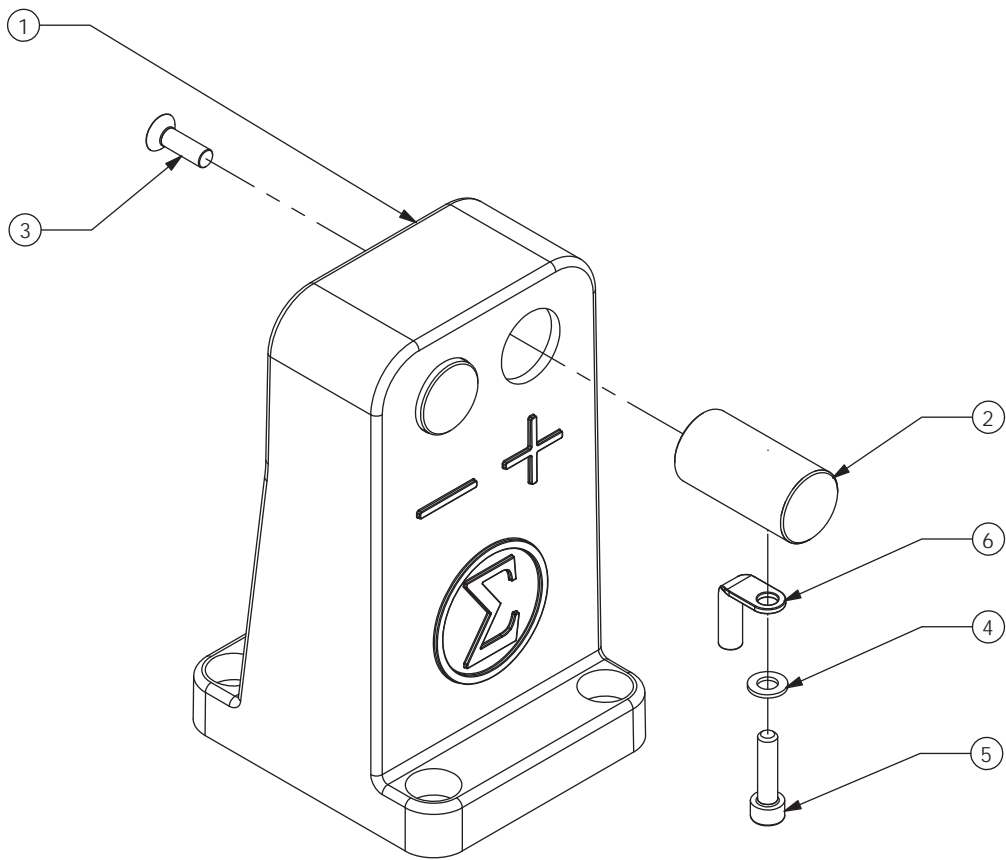
04 MOUNTING AND COMPONENTS

04.38 Exploded views of ANCHOR POINT SET PB-720/PB-725



04 MOUNTING AND COMPONENTS

04.40 Exploded views of LOADING HEAD SET PB-720/PB-725



05 ELECTRICAL CIRCUIT DIAGRAM

05.1 Plate circuit board

Diagram

- J1. Battery connection 2
- J2. Buzzer signal
- J3. Ambulance battery 12v CC
- J4. Battery connection 1
- J5. Strip lights signal LED right
- J6. Strip lights signal LED left
- J7. Hose connection CARD - DRIVER (V1)
- J8. Supply DRIVER (Positive/Negative)
- J9. Microwitches signal (load/down/up)
- J10. Terminal connection Control Panel card (D1)

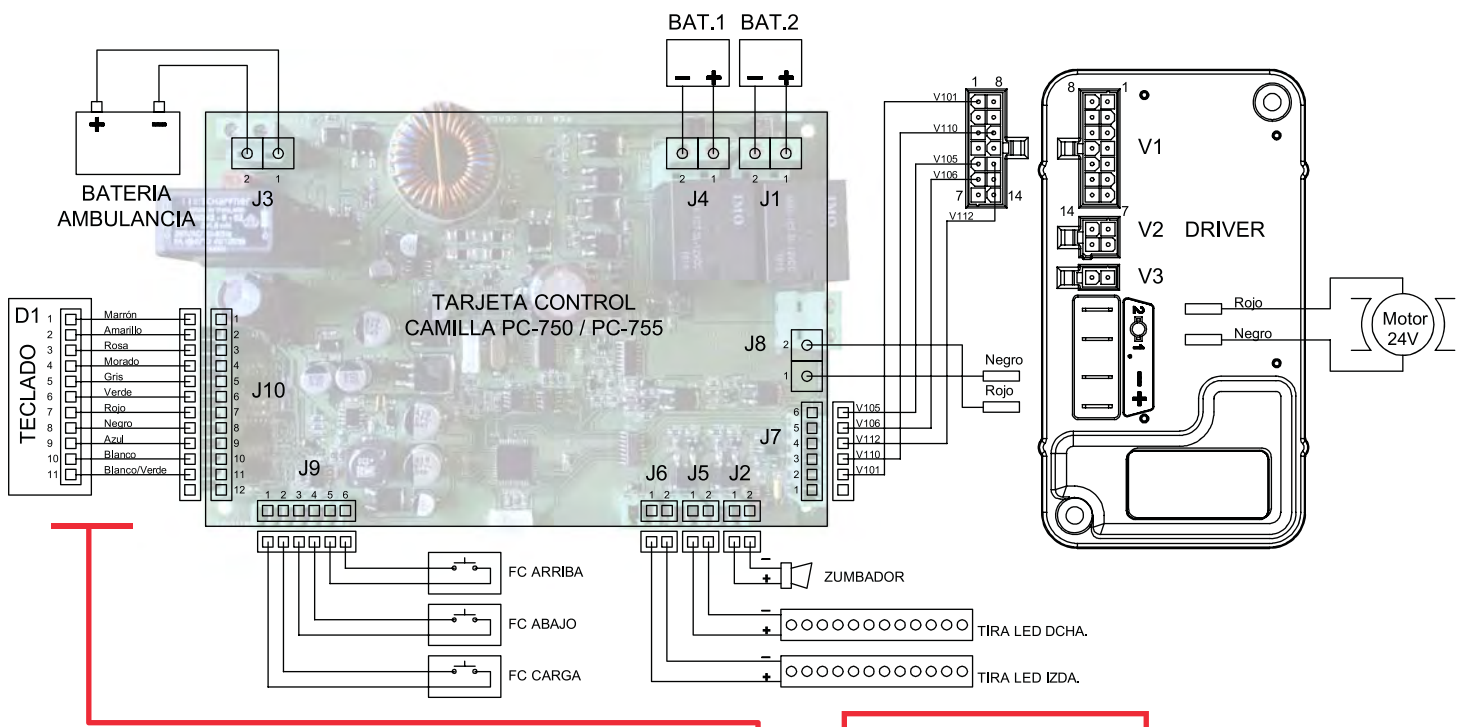
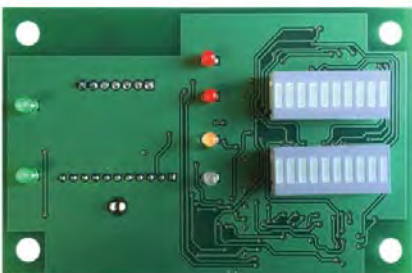
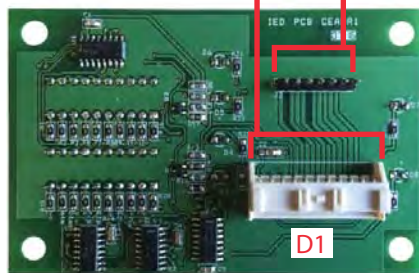


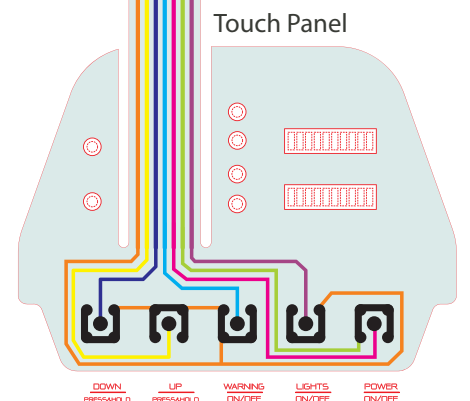
Plate Control Panel



Front view



Rear view



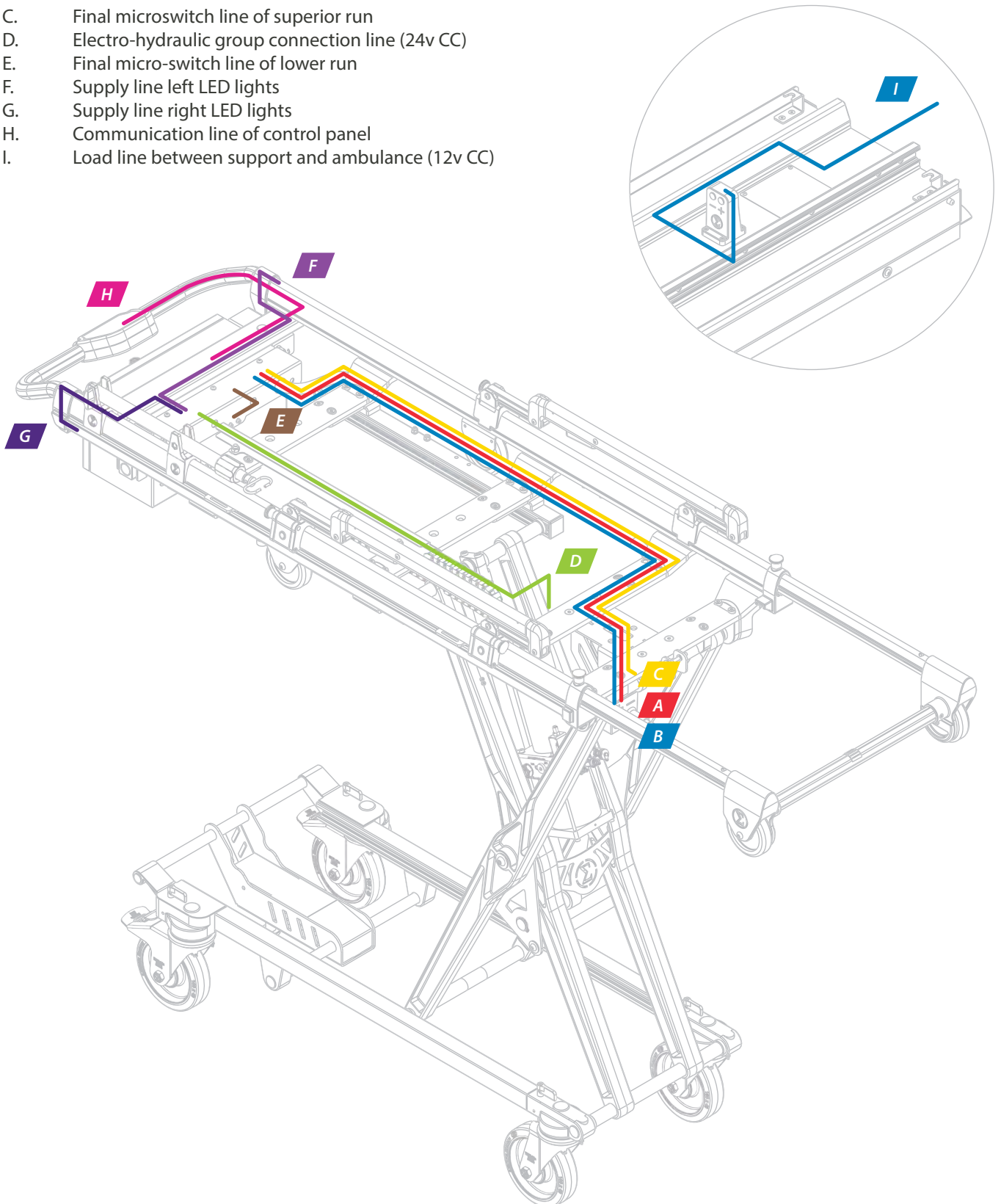
Rear view

05 WIRING DIAGRAM

05.2 Electrical wiring diagram

Wiring lines

- A. Power input line (12v CC)
- B. Microswitch line load terminal
- C. Final microswitch line of superior run
- D. Electro-hydraulic group connection line (24v CC)
- E. Final micro-switch line of lower run
- F. Supply line left LED lights
- G. Supply line right LED lights
- H. Communication line of control panel
- I. Load line between support and ambulance (12v CC)





06 GENERAL MAINTENANCE

CLEANING

Keeping the equipment cleaned is essential to ensure a good use and durability of the set. It is necessary to make a periodical thorough cleaning, especially in areas exposed to dirt that could suffer damages, such as gears, connectors, switches, etc. Do not use high-pressure cleaning, they can damage the electrical elements.

CONTROLS AND SELECTORS

Due to a heavy and continued use of the moving parts, such as controls and selectors, check them periodically for a proper functioning. There may be failures on micro-switches and cabling; examine the fixations and electric or mechanical connections that could exist.

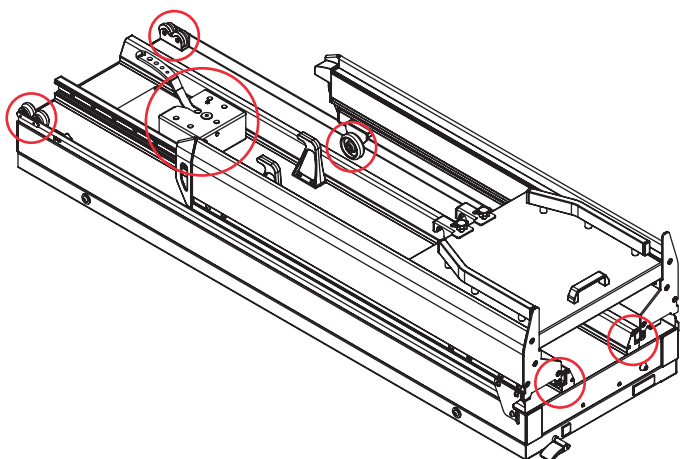
GREASE

Generally, every moving part should be greased. Our products leave the factory completely greased and lubricated, however, it is possible that with the time and usage of the product the elements degrease, either by loss of lubrication or by dirt. Clean and grease periodically the affected zones according to the manufacturer's specifications.

Verify that there are no loose, worn, or missing parts. Examine periodically every moving element to ensure that they are all tight.

Do not grease the platform guide because of its sliding dry system.

WARNING: Do not lubricate the support once connected to the electricity network.



WEAR AREAS

Regularly examining the system's components to check if they are wearing out is a preventive measure that can reduce breakdowns. Verify possible lubricate leaks, grooves or bearings in poor condition.

MECHANICAL FIXING

Generally we call mechanical fixing to the components that are used to attach joint products, mainly screws and derivatives.

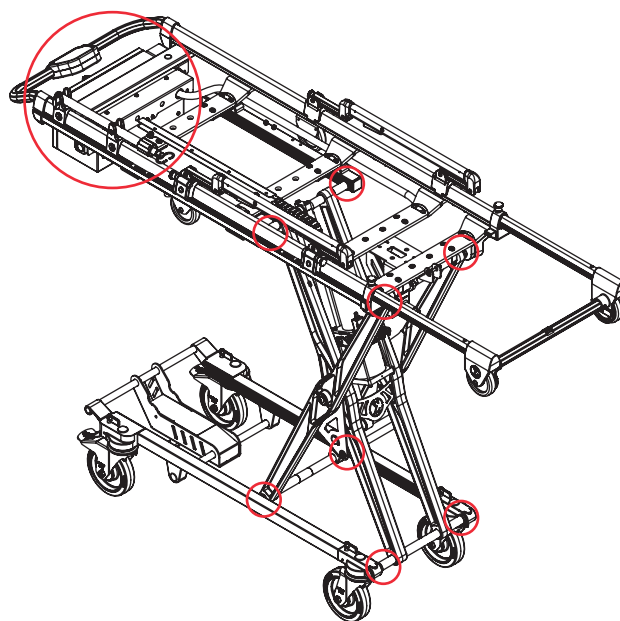
In some conditions of use, due to vibrations or impacts, many elements could lose their tightening torque or hold properties.

Periodically examine that no elements are unleashed, especially in the moving parts of the set. Take into account and always respect the recommended tightening torques.

REPLACEMENT OF COMPONENTS

This instruction manual does not include procedures for every part. The service staff typically substitutes cables, commutators and certain mechanical parts without any step by procedure.

The qualified service personnel must contact our sales department for information about ordering pieces and its installation.



MAKE SURE TO KEEP THESE AREAS FREE OF WATER AND HUMIDITY.
TAKE SPECIAL CARE NOT TO WET THEM WHILE WASHING THE SET.

07 LEGAL NOTICES

This document may contain technical inaccuracies or typographical errors.

Changes are periodically added to the information herein; these changes will be incorporated in new editions of the publication.

Promeba, S.L. reserves the right to make any modification or improvement in the products described in this publication if it is appropriate.

Promeba, S.L. may have patents or patent applications which address themes described in this document. The possession of this document does not entitle no license to these patents.

The information contained in this document does not affect or change the specifications or product specifications or warranties of **Promeba, S.L.**

No part of this document shall operate as express or implied license or compensation under the intellectual property rights of **Promeba, S.L.** or third party.

All the information contained in this document has been obtained in specific environments and it is presented as an illustration. The results obtained in other operating environments may vary.

Promeba, S.L. can use or distribute the information that the client provides in whatever way they see fit, without incurring any obligation with the client.

08 PRODUCT WARRANTY

Promeba, S.L. warrants that their products have successfully passed all quality controls, both functional and material. The warranty period is 2 years from the date of purchase.

This warranty will only be granted when the original invoice or sales receipt (indicating the date of purchase, model and the distributor's name) is presented together with the defective product during the warranty period. **Promeba, S.L.** reserves the right to not offer the free warranty service if the indicated documents are not presented or if the information provided the consumer is false, incomplete or illegible.

1. This warranty shall not apply if the model's name or the serial number has been altered, removed, disappeared or is illegible.

*2. This warranty does not cover transportation costs or risks associated with the transport of product to and from **Promeba, S.L.***

3. This warranty does not cover any of the following cases:

a) Regular maintenance and repair or replacement of parts from normal wear and tear.

b) Consumibles (components that may need periodic replacement during the product's life, such as non-chargeable batteries, bulbs, etc.)

c) Damages or defects resulting from the use, operation or improper treatment of the product and not caused by a normal use of it.

d) Damages arising from

i. Improper use, including:

- Treatment resulting in damages or physical changes, surface or appearance changes of the product.

- Installation, use or storage of the product in a manner inconsistent with the instructions described by **Promeba, S.L.**

- Product maintenance in a manner inconsistent with the inconsistent with the instructions of **Promeba, S.L.** for a proper maintenance.

- Installation or product use in a manner inconsistent with the technical or security standards of the country where it is used or installed.

ii. Use of components not supplied with the product or incorrect installation of accessory parts previously untested.

iii. States or defects system in which the product is incorporated with the exception of other products of **Promeba, S.L.** designed for its use with the product.

iv. Product use with accessories, peripherals units and other products of a type, condition or standard not established by **Promeba, S.L.**

v. The manufacturer or distributor shall be solely responsible for determining the sending of parts for its repair or the replacement of the product in its entirety. In no circumstance shall operators be sent to such repair or product replacement.

Except in the cases mentioned above, **Promeba, S.L.** shall not give any guarantees in relation to the product, operation, accuracy, reliability or adaptability for an equipment logical purpose or any other type. If this exception is not lawful or established in the law, **Promeba, S.L.** shall limit or exclude their guarantees only to the extent that the applicable law permits it.

The only obligation of **Promeba, S.L.** regarding this warranty is to repair or replace the parts subjected to the terms and condition of this warranty.

Promeba, S.L. is not liable for loss or damages to products, this warranty or others, including economic loss or not assessable damage; the price paid for the product; loss of profits, incomes, information, usufruct or use of the product or associated products or indirect loss or damage, accidental or critical.

This clause refers to whether the loss or damage is due to a product deterioration or inoperability associated to defects or unavailability of **Promeba, S.L.** that caused a downtime, user's time loss or a business interruption.

In the cases in which the law prohibits or limits these responsibility exclusions, **Promeba, S.L.** shall exclude or limit their responsibility only to the extent that the law allows. For example, many countries forbid the exclusion or limitation of damages caused by negligence, gross negligence, willful misconduct, fraud and similar acts. The responsibility of **Promeba, S.L.** in this warranty shall not exceed, in any case, the price paid for the product, but if the applicable law permits only responsibility limitations of major responsibilities, these shall be applied.



Todos los derechos reservados. Reservado el derecho ha modificaciones sin previo aviso.
Promeba, S.L. no se considera responsable de los daños causados por la falta o la inexactitud de la información aquí mencionada.

*All rights reserved. Variations can be done whitout notice.
Promeba, S.L. is to be considered not responsible for damages caused by the lack or the wrongness of the information here mentioned.*



PROMEBA, S.L.

Ctra C-16 Km 59,5 · 08650 Sallent (Barcelona) · SPAIN
T. 93 837 12 00 · Fax 93 820 61 08
promeba@promeba.com · www.promeba.com