



MAINTENANCE MANUAL

ELECTRIC STRETCHER SERIES PC-750 // RAIL SERIES PB-720

Revision 2022/05

01 EVERY 6 MONTHS

1.1 STRETCHER

1.1.1 CONTROL PANEL:

- Check that the membrane is well attached to the housing to prevent moisture from entering.

1.1.2 BATTERY BOX:

- Open the box to check that the seal is maintained. There should be no signs of moisture inside the box.
- Make sure that the 4 closing screws of the box are correctly tightened.

1.1.3 LOCK PEDAL:

- Check the correct operation of the pedal: operate the pedal and check that the 2 front wheels are completely locked. Release the pedal and check that the wheels rotate freely.

1.1.4 FRONT AND REAR WHEELS:

- Check the correct operation of the wheels:
 - All 4 wheels rotate smoothly when free.
 - The 2 rear wheels are locked when the locking tabs are operated respectively.
 - The 4 wheels are braked by activating the brake pedal for each wheel.
 - The 4 wheels roll correctly and do not show any deformation.

1.1.5 LOWER STRUCTURE:

- Check the tightening torque of the screws on both sides of the lower structure (see Fig. 1). The tightening torque must be 19.11 Nm.
- Clean the guides on both sides and renew the lubrication with Vaseline (see Fig. 2). IMPORTANT: after greasing, always clean the excess.
- Check that the guide bearings are in good condition, and consider whether they need to be replaced: during the process of raising and lowering the stretcher, check that the bearings roll correctly.

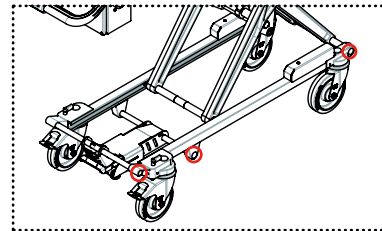


FIGURE 1

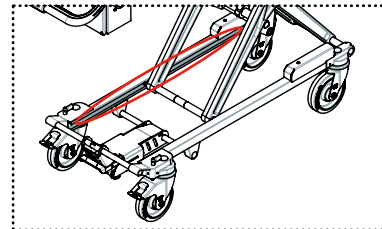


FIGURE 2

1.1.6 PROFILE:

- Check the correct functioning of the patient's fixation systems, and consider whether it is necessary to replace them:
 - They open and close properly.
 - They are not worn, torn, or have any broken parts.
 - The fixing pieces on the profile are correctly fastened.
- Check the correct operation of the handrails, and consider whether it is necessary to replace them:
 - They open and close properly
 - The bolt of the rear support (see Fig. 3) that fixes the handrails on the profile is well tightened
- Check the correct operation of the extendable handles, and consider whether it is necessary to replace them:
 - They open and close properly
 - They stay locked in the extended and closed position

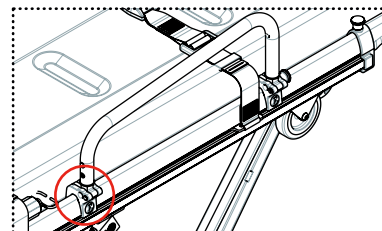


FIGURE 3

01 EVERY 6 MONTHS

1.2 RAIL

1.2.1 FIX RAIL OPERATION:

- Check the condition of the nylon wheels for removing the rail and consider whether it is necessary to replace them.
- Check that the lock handle is not loose. If it is loose, the main screw of the rotation axis and the small screw that guides the lever must be tightened (see Fig. 4).
- Check that all the elements screwed on top of the rail are fixed (central hooks, front lock, loading head, etc.)
- Open the manhole covers, clean and grease the lateral movement guides with Vaseline. **IMPORTANT:** after greasing, always clean the excess.

1.2.2 REMOVABLE RAIL OPERATION:

- Clean and grease the sliding guides of the removable rail with Vaseline. **IMPORTANT:** after greasing, always clean the excess.
- Make sure that the hole in the locking piece of the removable rail is concentric with the shelf of the fixed rail (see Fig. 5), otherwise it could seize.

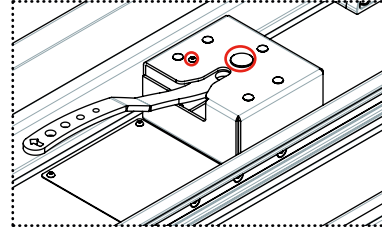


FIGURE 4

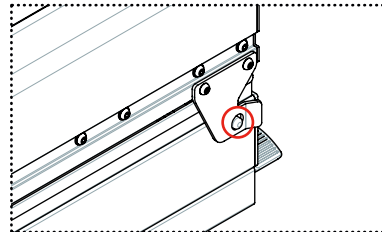


FIGURE 5

02 EVERY YEAR

2.1 STRETCHER

2.1.1 RELEASE PEDAL:

- Open the two front covers (see Fig. 6) to check that the cable is not worn or slack.

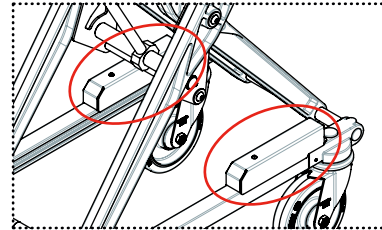


FIGURE 6

2.1.2 FRONT AND REAR WHEELS:

- Check that the screws that connect the wheels to the lower frame are correctly tightened.

2.1.3 ENGINE:

- Check that the engine emergency system works properly
- Confirm that the Seeger washers on the lower motor holding shaft are not missing (see Fig. 7).

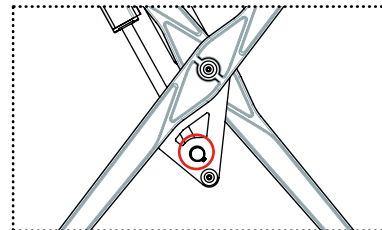


FIGURE 7

2.1.4 ELECTRICAL OPERATION:

- Check all the functions of the dashboard:
 - The control panel is turned on and off by pressing the POWER ON / OFF button.
 - Verify that the two modes of the LED lights (flashing and steady) work, and that when they are turned on the blue LED on the control panel lights up.
 - The buzzer sounds when activated and stops when deactivated.
 - The stretcher is raised and lowered by pressing the UP and DOWN buttons, and the up and down arrows light up respectively.
 - The battery LEDs light up indicating battery status.
- Confirm that when the control panel is turned on, the red ERROR LED does not light up, and therefore no alarm is activated.
- Check that the limit switches maintain the correct position: lower the stretcher until it stops and confirm that it reaches the minimum height, raise the stretcher until it stops and confirm that it is at the maximum height according to the configuration.
- Check that the motor works correctly: listen to the sound of the motor when raising and lowering the stretcher and confirm that it is working well without exerting any extra effort.

2.1.5 LOADING HEAD:

- Check the return of the load terminals of the head: press each of the terminals towards the inside of the head, you should hear a "click", and check that they return without difficulty.
- Open the charging head and make sure there is no sign of moisture. If there are any, consider changing the sensor as it could be in the process of oxidation. If it is in poor condition, it is recommended to change it before it stops working as otherwise it could compromise a service.

2.1.6 STRETCHER BED:

- Check the condition of the mattress and consider whether it needs to be replaced: make sure that it is not broken or torn and that all the joints are properly sealed.
- Check the state of the head mattress and consider whether it needs to be replaced: make sure that it is not broken or torn and that all the joints are properly sealed.
- Check that the movements of the stretcher bed can be carried out correctly:
 - Press the two red buttons on the profile and on the foot of the bed, then place it in the Fowler and Trendelenburg position. If any of these movements cannot be carried out, the tension of the cables on both sides must be readjusted.
 - Operate the lever of the backrest piston and check that it raises and lowers correctly.
 - When the bed is in the Fowler + Trendelenburg position and with the backrest up, the maximum load of the stretcher distributed according to the human anatomy should be applied. In the event that any of the pistons does not hold in the established position, it should be considered replacing it.

02 EVERY YEAR

- Check the fixation of the bed joints: these joints must be free to be able to carry out the movement, but without the assembly losing cohesion. If this joint is not correctly assembled, it could cause damage during use, in which case the Promeba technical service should be contacted to consider whether it needs to be replaced.
- Check that the screws that connect the bed to the stretcher are properly tightened.

2.1.7 GENERAL:

- Check that all screws not specified above are properly tightened.

2.2 RAIL

2.2.1 GENERAL:

- Check that all the screws are properly tightened.

03 EVERY 2 YEARS

3.1 STRETCHER

3.1.1 PROFILE:

- Check the condition of the bunk wheels and consider whether they need to be replaced. These wheels must be replaced every two years or according to wear.
- Check the condition of the telescopic lever handles and their inner profiles and consider whether they need to be replaced. These elements must be replaced every two years or according to wear.

3.1.2 LOADING HEAD:

- Check the condition of the corrugated tube and assess whether it needs to be replaced. The tube must be replaced every two years or according to wear.

04 EVERY 3 YEARS

4.1 STRETCHER

4.1.1 CONTROL PANEL:

- Check the condition of the membrane and consider whether it needs to be replaced. It should be considered that the membrane is an element that suffers a lot of wear and if it is in bad condition it could have a fault. If it is in poor condition, it is recommended to change it before it stops working as otherwise it could compromise a service.

4.1.2 LOWER STRUCTURE:

- Check the condition of the reflective stickers and consider whether it is necessary to replace them.

4.1.3 LEGS:

- Make sure that the rotation shaft bolts are properly tightened.
- Check the tightening torque of the screws that connect the legs to the upper part of the stretcher (see Fig. 8). The tightening torque must be 19.11 Nm.
- Make sure that the limit switch sensor is properly tightened and fixed.
- Clean the upper and lower guides and renew the lubrication with Vaseline. IMPORTANT: after greasing, always clean the excess.
- Check the condition of the adhesives and consider whether it is necessary to replace them.

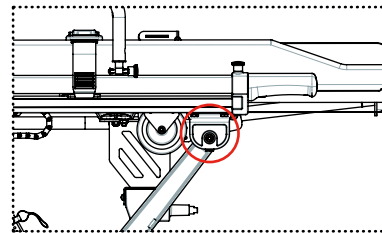


FIGURE 8

4.1.4 PROFILE:

- Check the condition of the adhesives and consider whether it is necessary to replace them

4.2 RAIL

4.2.1 FIXED RAIL OPERATION:

- Check the condition of the adhesives and consider whether it is necessary to replace them.

4.2.2 FIXED RAIL OPERATION:

- Check the condition of the adhesives and consider whether it is necessary to replace them.

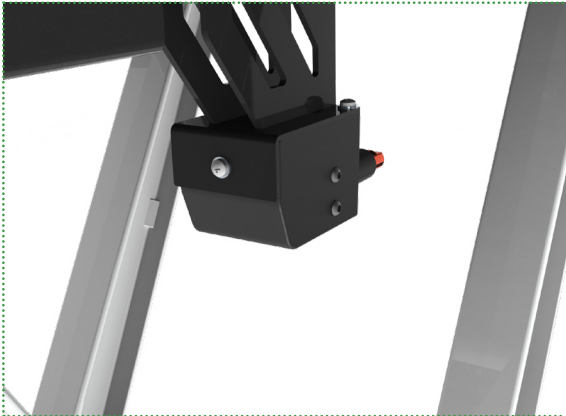


05 WHEN NEEDED

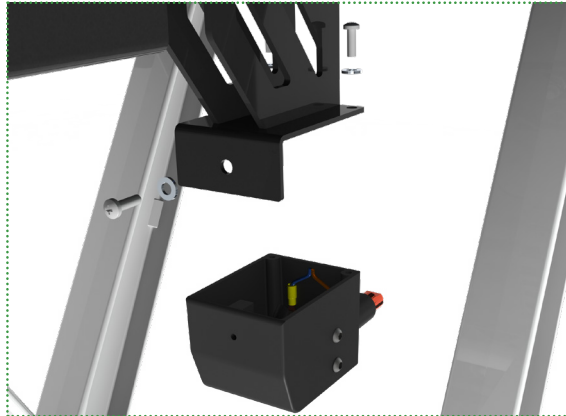
5.1 CHANGE MICROSWITCH

There are two versions of microswitch. In the first case, the casing is blue and the connector microswitch can be removed by replacing only this element. In the second case, the casing is gray and the entire microswitch assembly must be replaced, unwiring it from the charging head to the electrical panel.

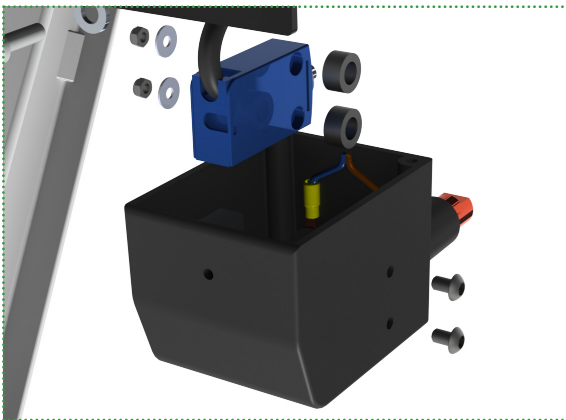
In both cases, follow the steps below:



1. Locate the loading head, placed at the bottom front of the stretcher



2. Unscrew the three screws that hold the casing.

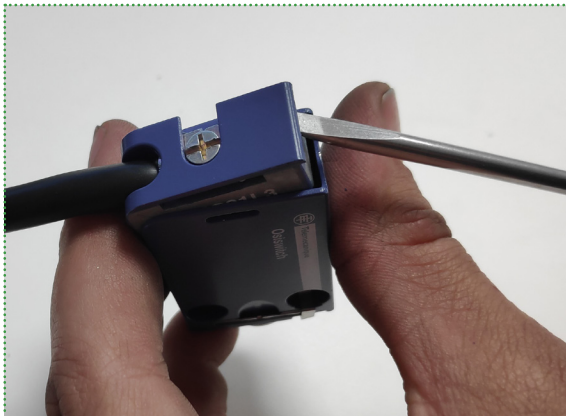
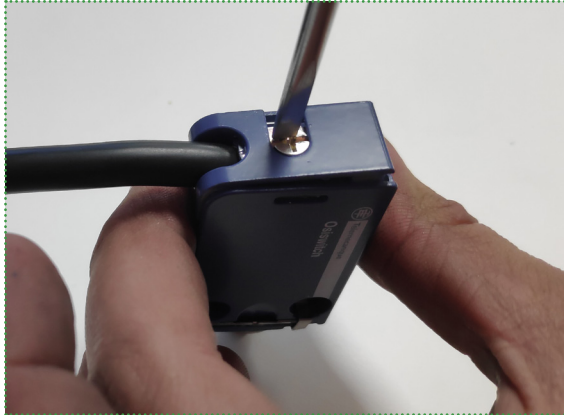


3. Unscrew the two screws that hold the microswitch.

05 WHEN NEEDED

Depending on the microswitch your stretcher has, follow these steps:

- If your stretcher is equipped with the microswitch with a **blue casing**, follow the instructions in the following images to be able to replace it.



- If your stretcher is equipped with the microswitch with **gray casing**, follow the instructions described below.



1. Unscrew the four screws of the electrical box cover and disconnect the microswitch connector from the electrical board.

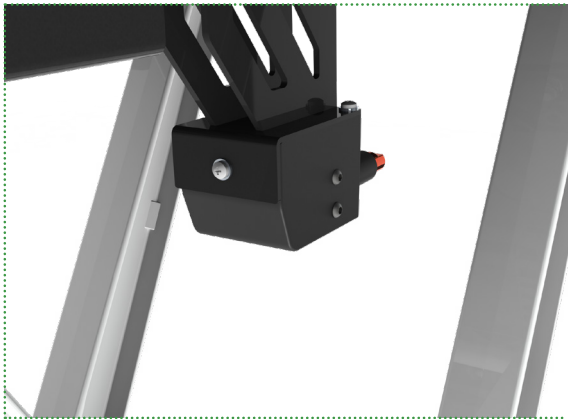


2. Pull out the micro switch cable from the hose located at the bottom of the stretcher

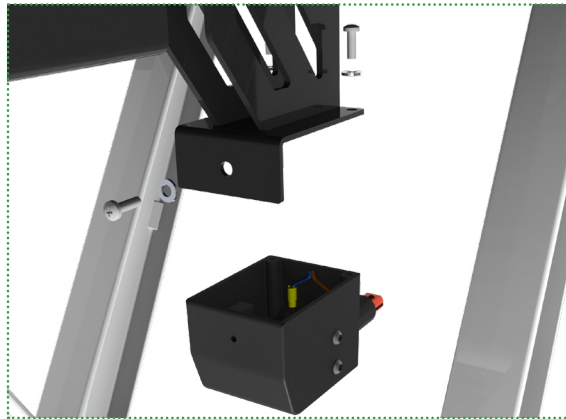
05 WHEN NEEDED

5.2 CHANGE CHARGING TERMINALS

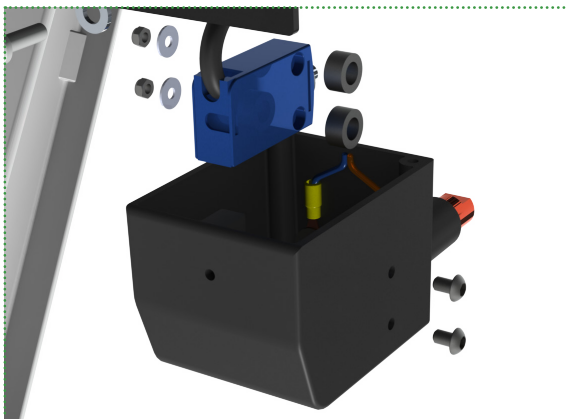
Follow the steps below:



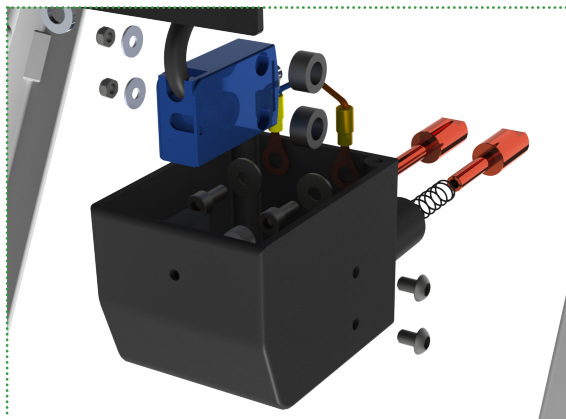
1. Locate the loading head, placed at the bottom front of the stretcher



2. Unscrew the three screws that hold the casing.



3. Unscrew the two screws that hold the microswitch.



4. Unscrew the two screws that hold the charging terminals

When reassembling the terminals, make sure of the following points:

- Push both terminals and verify that they return correctly
- Check that the terminal that is in contact with the microswitch activates it correctly when pressed.



Todos los derechos reservados. Reservado el derecho ha modificaciones sin previo aviso.
Promeba, S.L. no se considera responsabe de los daños causados por la falta o la inexactitud de la información aquí mencionada.

*All rights reserved. Variations can be done whitout notice.
Promeba, S.L. is to be considered not responsible for damages caused by the lack or the wrongness of the information here mentioned.*



PROMEBA, S.L.

Ctra C-16 Km 59.5 · 08650 Sallent (Barcelona) · SPAIN
T. 93 837 12 00
promeba@promeba.com · www.promeba.com